


Linear Bushings –Single Bushing–

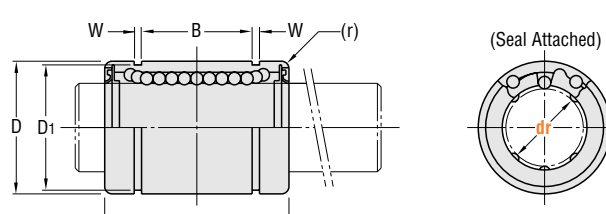
The Straight, Single Type Ball Bushings are designed for all Steel Misumi linear shafts. They are engineered to be working with extremely small clearance or even a slight pre-load between the shaft and the bushing balls.

Price Revision
New Price



Outer Cylinder Material	Outer Cylinder Hardness	Ball Material	Cage Material	Temp. Range	Seal Material	Type
52100 Bearing Steel	58HRC~	52100 Bearing Steel	Plastic (Delrin Class)	-4 ~ 176°F	NBR (Nitrile Rubber)	U-LMU

Material Characteristics P.628



(Seal Attached)

From	To	Tolerance
0.000	5.000	±0.01
5.001	16.000	±0.02
16.001	60.000	±0.05

Thread or hole location tolerance: ±0.005 non-cumulative.

Type	Part No.			Recommended Shaft Diameter	D		L		\$ Unit Price (Qty. 1 ~ 9)				
	dr				Nominal	Tolerance	Nominal	Tolerance					
	Callout	Nominal	Tolerance										
U-LMU	0.25	1/4	0.2497	0.2493	0.2495	0.2490	1/2	0.5000	0.4996	3/4	0.750	0.735	5.50
	0.38	3/8	0.3747	0.3743	0.3745	0.3740	5/8	0.6250	0.6246	7/8	0.875	0.860	5.50
	0.50	1/2	0.4997	0.4993	0.4995	0.4990	7/8	0.8750	0.8746	1-1/4	1.250	1.235	5.80
	0.63	5/8	0.6247	0.6243	0.6245	0.6240	1-1/8	1.1250	1.1246	1-1/2	1.500	1.485	6.90
	0.75	3/4	0.7498	0.7494	0.7495	0.7490	1-1/4	1.2500	1.2496	1-5/8	1.625	1.610	9.10
	1.00	1"	0.9998	0.9994	0.9995	0.9990	1-9/16	1.5625	1.5621	2-1/4	2.250	2.235	12.40
	1.25	1-1/4	1.2499	1.2494	1.2495	1.2490	2	2.0000	1.9995	2-5/8	2.625	2.605	17.50
	1.50	1-1/2	1.4999	1.4993	1.4994	1.4989	2-3/8	2.3750	2.3745	3"	3.000	2.980	34.10

Order Example The part number consists only of the fields with blue characters. Please refer to the table below for technical information.

Part No. U-LMU 0.63

Technical Information

dr	B		W		D1		(r)	Eccentricity (Max)	No. of Ball Tracks	Load Capacity (Ibf)		Mass (oz)			
	Nominal	Tolerance	Width	Tolerance	Dia.	Tolerance				Dynamic	Static				
0.25	1/2	0.516	0.500	0.039	+0.003	0.000	0.468	+0.002	-0.002	0.015	0.0005	4	30	34	0.29
0.38	1/2	0.516	0.500	0.039	+0.003	0.000	0.588	+0.003	-0.003	0.015	0.0005	4	32	36	0.43
0.50	7/8	0.891	0.875	0.046	+0.003	0.000	0.821	+0.003	-0.003	0.030	0.0005	4	96	107	1.36
0.63	1"	1.016	1.000	0.056	+0.004	0.000	1.059	+0.004	-0.004	0.030	0.0005	4	155	156	2.85
0.75	1-1/8	1.141	1.125	0.056	+0.004	0.000	1.176	+0.004	-0.004	0.030	0.0006	5	199	214	3.55
1.00	1-1/2	1.520	1.500	0.068	+0.004	0.000	1.468	+0.005	-0.005	0.060	0.0006	6	327	407	7.31
1.25	1-1/8	1.895	1.875	0.068	+0.004	0.000	1.886	+0.005	-0.005	0.060	0.0008	6	486	565	15.33
1.50	2-1/4	2.270	2.250	0.086	+0.005	0.000	2.239	+0.006	-0.006	0.060	0.0008	6	713	814	23.35

Days to Ship 1 Day

Price

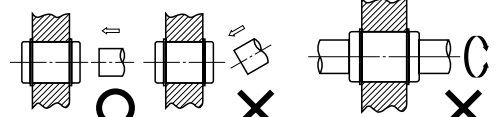
Quantity Discount Rate

Quantity Rate	1-9	10-19	20-49	50~
Rate	—	2%	3%	5%

Note on handling Linear Bushings

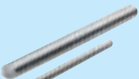
Please insert shaft to bushing straight. Twisted insert may cause falling balls or retainer deformation.

Linear Bushing is not structurally suited for rotary motion.



Related Components


Linear Shafts P.39



Linear Bushings –Double Bushings–

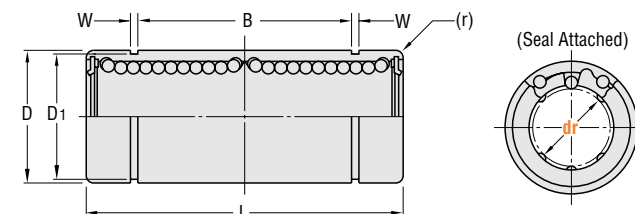
The Straight, Double Type Ball Bushings are designed for all Steel Misumi linear shafts. They are engineered to be working with extremely small clearance or even a slight pre-load between the shaft and the bushing balls. The double version allows longer bearing surface and improves rigidity.

Price Revision
New Price



Outer Cylinder Material	Outer Cylinder Hardness	Ball Material	Cage Material	Temp. Range	Seal Material	Type
52100 Bearing Steel	58HRC~	52100 Bearing Steel	Plastic (Delrin Class)	-4 ~ 176°F	NBR (Nitrile Rubber)	U-LMUW

Material Characteristics P.628



(Seal Attached)

From	To	Tolerance
0.000	5.000	±0.01
5.001	16.000	±0.02
16.001	60.000	±0.05

Thread or hole location tolerance: ±0.005 non-cumulative.

Type	Part No.			Recommended Shaft Diameter	D		L		\$ Unit Price (Qty. 1 ~ 9)				
	dr				Nominal	Tolerance	Nominal	Tolerance					
	Callout	Nominal	Tolerance										
U-LMUW	0.25	1/4	0.2497	0.2493	0.2495	0.2490	1/2	0.5000	0.4996	1-3/8	1.375	1.363	9.50
	0.38	3/8	0.3747	0.3743	0.3745	0.3740	5/8	0.6250	0.6246	1-19/32	1.594	1.582	9.50
	0.50	1/2	0.4997	0.4993	0.4995	0.4990	7/8	0.8750	0.8746	2-3/8	2.375	2.363	10.40
	0.63	5/8	0.6247	0.6243	0.6245	0.6240	1-1/8	1.1250	1.1246	2-13/16	2.813	2.801	12.50
	0.75	3/4	0.7498	0.7494	0.7495	0.7490	1-1/4	1.2500	1.2496	3-3/32	3.094	3.082	17.00
	1.00	1"	0.9998	0.9994	0.9995	0.9990	1-9/16	1.5625	1.5621	4-9/32	4.281	4.265	26.40
	1.25	1-1/4	1.2499	1.2494	1.2495	1.2490	2	2.0000	1.9995	5	5.000	4.984	36.40
	1.50	1-1/2	1.4999	1.4993	1.4994	1.4989	2-3/8	2.3750	2.3745	5-11/16	5.688	5.672	66.60

Order Example The part number consists only of the fields with blue characters. Please refer to the table below for technical information.

Part No. U-LMUW 0.75

Technical Information

dr	B		W		D1		(r)	Eccentricity (Max)	No. of Ball Tracks	Load Capacity (Ibf)		Mass (oz)			
	Nominal	Tolerance	Width	Tolerance	Dia.	Tolerance				Dynamic	Static				
0.25	1"	1.020	1.000	0.039	+0.003	0.000	0.468	+0.002	-0.002	0.015	0.0005	4	49	68	0.56
0.38	1-1/4	1.270	1.250	0.039	+0.003	0.000	0.588	+0.003	-0.003	0.015	0.0005	4	52	72	0.83
0.50	2"	2.020	2.000	0.046	+0.003	0.000	0.821	+0.003	-0.003	0.030	0.0005	4	156	214	2.66
0.63	2-1/4	2.270	2.250	0.056	+0.004	0.000	1.059	+0.004	-0.004	0.030	0.0005	4	251	313	5.51
0.75	2-3/8	2.399	2.375	0.056	+0.004	0.000	1.176	+0.004	-0.004	0.030	0.0006	5	323	428	6.73
1.00	3-1/2	3.524	3.500	0.068	+0.004	0.000	1.468	+0.005	-0.005	0.060	0.0006	6	531	814	14.35
1.25	1-1/4	4.274	4.250	0.068	+0.004	0.000	1.886	+0.005	-0.005	0.060	0.0010	6	790	1131	29.71
1.50	4-3/4	4.774	4.750	0.086	+0.005	0.000	2.239	+0.006	-0.006	0.060	0.0010	6	1159	1628	45.61

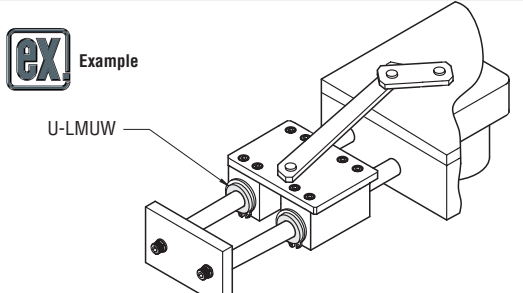
Days to Ship 1 Day

Price

Quantity Discount Rate

Quantity Rate	1-9	10-19	20-49	50~
Rate	—	2%	3%	5%

Example U-LMUW



Express Options P.30

MISUMI www.misumiusa.com E-mail: inquire@misumiusa.com

TEL.1-847-843-9105 FAX.1-847-843-9107 TOLL FREE TEL.1-800-681-7475 TOLL FREE FAX.1-800-681-7402

Contents

How to Use the Catalog

Linear Motion

Linear Shafts

Bushings

Shaft Supports

Shaft Collars

Linear Guides

Rotary Motion

Rotary Shafts

Bearings w/ Housings

Pulleys Belts Couplings

Locating Components

Locating Pins & Bushings

Locating Components

General Components

Pivot Pins Floating Joints

Posts Device Stands Strut Clamps

Angle Plates Gaskets Welded Stands

Washers Collars

Manifolds

Urethanes Rubbers

Plates

Misc.

Technical Data

Business Information

Index