


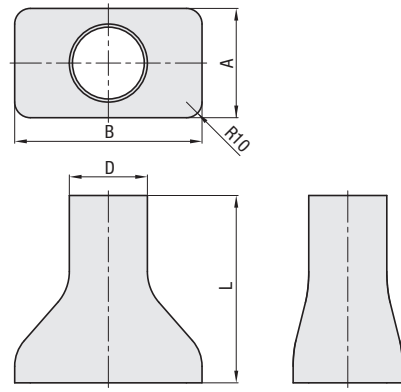


Dust Collecting Nozzle



Type	Materials	Heat Resistance Temp.
SJNZJ	PE	70°C

Features: A dust collecting nozzle that collects dust removed by the nozzle.
: Can also be used for spraying applications.
: Anti-static, allowing use in a wide range of environments.



RoHS10

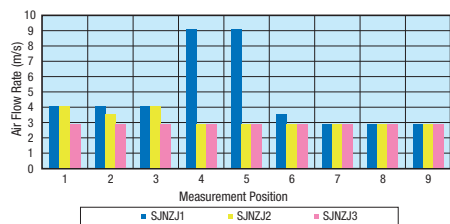
Part Number		D	A	B	L
Type	No.				
SJNZJ	1	50	70	120	120
	2		70	200	150
	3	65	100	200	170

ⓘ For orders larger than the indicated quantity, please check in WOS.

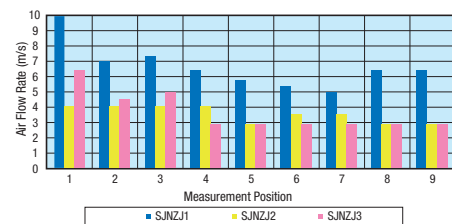
Part Number Example

Part Number: **SJNZJ1**

Differential Pressure Property Table: Suction



Differential Pressure Property Table: Discharge



Dust Collecting Nozzle Measurement Position

8	2	5
7	1	4
9	3	6

Part Number Alterations

Part Number: **SJNZJ1 - (KFJ, KLB)**
Alteration: **KFJ**

Application Example



Alterations	Machining																				
	Flange Machining	L-Shaped Bracket Mount Machining																			
Code	KFJ	KLB																			
Spec.	Machines a flange for securing the nozzle. The flange is secured using rivets. Ordering Code KFJ ⓘ Product will be shipped after three days.	Installs an L-shaped bracket for securing. The bracket is secured using rivets. Ordering Code KLB ⓘ Product will be shipped after three days.																			
	<table border="1"> <thead> <tr> <th>Part Number</th> <th>D₁</th> <th>P.C.D</th> <th>D</th> <th>d</th> </tr> </thead> <tbody> <tr> <td>SJNZJ1</td> <td>80</td> <td>70</td> <td>56.2</td> <td>50.2</td> </tr> <tr> <td>SJNZJ2</td> <td>80</td> <td>70</td> <td>56.2</td> <td>50.2</td> </tr> <tr> <td>SJNZJ3</td> <td>100</td> <td>90</td> <td>71.2</td> <td>65.2</td> </tr> </tbody> </table>	Part Number	D ₁	P.C.D	D	d	SJNZJ1	80	70	56.2	50.2	SJNZJ2	80	70	56.2	50.2	SJNZJ3	100	90	71.2	65.2
Part Number	D ₁	P.C.D	D	d																	
SJNZJ1	80	70	56.2	50.2																	
SJNZJ2	80	70	56.2	50.2																	
SJNZJ3	100	90	71.2	65.2																	