



Pillow Blocks

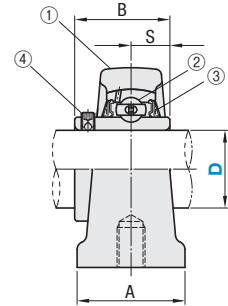
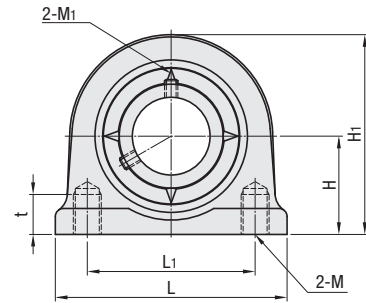
Cast Iron Pillow Block (Narrow Width Type)

Features: Narrower widths than other cast iron pillow blocks, making it ideal for saving space.



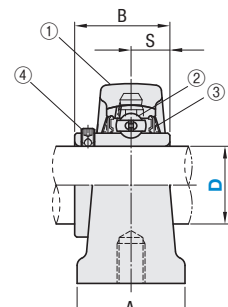
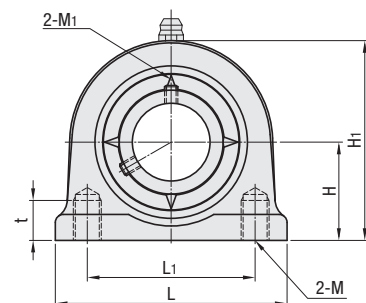
PDRUPN (Cast Iron Pillow Block, Narrow Width Type)

Lubrication-Free



PDRUP

Lubricated



Accuracy: JIS B 1558
JIS B 1514
JIS B 1559
Bearing Inner Diameter Tolerance: H7 (Clearance Fit)
Operating Temperature: -15 to +100°C

① A grease fitting is included with the lubricated type.
Grease Fitting Nominal Diameter: 1/4-28UNF (Unified Standard)

Components	Material
① Housing	Cast Iron Class 30
② Bearing Track Ring	52100 Bearing Steel
③ Rubber Seal	Nitrile Rubber
④ Set Screw	4137 Alloy Steel

Part Number	JIS Nominal	H	L	L ₁	A	M	t	H ₁	B	S	Basic Load Rating (kN)		M1	Weight (g) (Reference)
											Cr (Dynamic)	Cor (Static)		
(Lubrication-Free) PDRUPN	12 UC201D1	30.2	76	52	38	M10X1.5	13	62	31	12.7	12.8	6.7	M5 × 0.8	600
	15 UC202D1													
	17 UC203D1													
	20 UC204D1													
(Lubricated) PDRUP	25 UC205D1	36.5	84	56	48	M14X2	15	72	34.1	14.3	14.0	7.85	M6 × 0.75	700
	30 UC206D1	42.9	94	66			18	84	38.1	15.9	19.5	11.3		1100
	35 UC207D1	47.6	110	80	20		95	42.9	17.5	25.7	15.3	1600		
	40 UC208D1	49.2	116	84	54		100	49.2	19	29.1	17.8	1800		
	45 UC209D1	54.2	120	90						32.5	20.4	2100		
	50 UC210D1	57.2	130	94	60		116	51.6	25	116	51.6	35.0	23.2	M8 × 1.0

① kgf = N × 0.101972

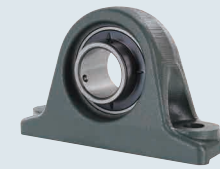
Part Number Example: **PDRUPN12**
PDRUP20



Pillow Blocks

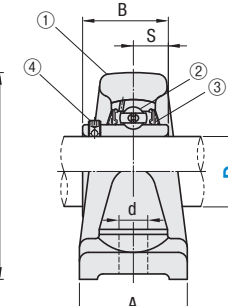
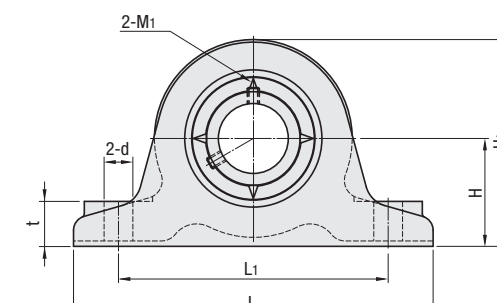
Cast Iron Pillow Block (Thick Type)

Features: Compared to other cast iron pillow blocks, the bearing housing is thicker, making it ideal for applications where high basic load ratings are required.



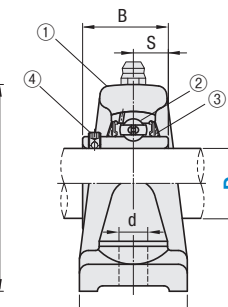
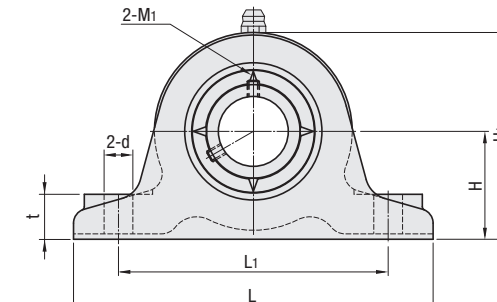
PDRIPN (Cast Iron Pillow Block, Thick Type)

Lubrication-Free



PDRIP

Lubricated



Accuracy: JIS B 1558
JIS B 1514
JIS B 1559
Bearing Inner Diameter Tolerance: H7 (Clearance Fit)
Operating Temperature: -15 to +100°C

① A grease fitting is included with the lubricated type.
Grease Fitting Nominal Diameter: 1/4-28UNF (Unified Standard)

Components	Material
① Housing	Cast Iron Class 30
② Bearing Track Ring	52100 Bearing Steel
③ Rubber Seal	Nitrile Rubber
④ Set Screw	4137 Alloy Steel

Part Number	JIS Nominal	H	L	L ₁	A	d	t	H ₁	B	S	Basic Load Rating (kN)		M1	Weight (g) (Reference)
											Cr (Dynamic)	Cor (Static)		
(Lubrication-Free) PDRIPN	40 UC208D1	60	200	150	60	19	25	115	49.2	19	29.1	17.8	M8 × 1.0	3500
	45 UC209D1	70	210	160				128			20.4	3700		
	50 UC210D1	70	220	170				132			23.2	4300		
(Lubricated) PDRIP	55 UC211D1	80	230	180	70	22	30	148	55.6	22.2	43.5	29.2	M10 × 1.25	5200
	60 UC212D1	80	260	200				155			36.0	6600		
	65 UC213D1	90	280	220				172			40.0	8600		

① kgf = N × 0.101972

Part Number Example: **PDRIPN45**
PDRIP50