




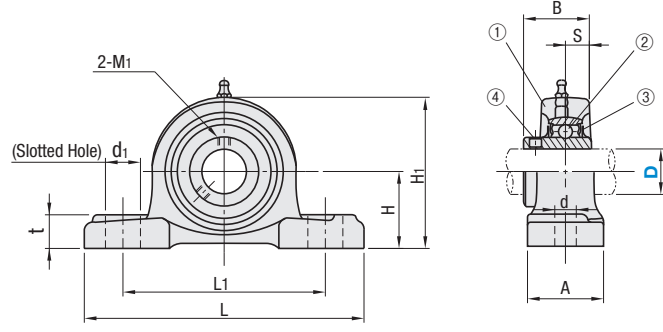
Pillow Blocks

Cast Iron Pillow Block (Heat Resistant)

Features: Superior heat resistance compared to other cast iron pillow blocks, with temperature resistance from ambient to 200°C.



PDRHT (Heat Resistant Type)



Components	Material
① Housing	Cast Iron Class 30
② Bearing	52100 Bearing Steel
③ Rubber Seal	Silicone
④ Set Screw	4137 Alloy Steel

Accuracy: JIS B 1558,
JIS B 1559
Bearing Inner Diameter Tolerance: H7 (Clearance Fit)
Operating Temperature: Ambient to +200°C
Ⓢ Ball bearing moves slightly due to self-aligning function.

Part Number	Type	D	JIS Nominal	H	L	L1	A	d1	d	t	H1	B	S	Basic Load Rating (kN)		Set Screw			Weight (g)	
														Cr (Dynamic)	Cor (Static)	M1	Tightening Torque (N-cm)	Axial Load Capacity (N)		
12	UCP201																			650
15	UCP202		30.2																	630
17	UCP203			127	95		38	19	13	15	62	31	12.7	12.8	6.6	M6 × 0.75	390	640		620
20	UCP204		33.3								65									650
25	UCP205		36.5	140	105			16		16	70	34.1	14.3	14	7.9		490			790
30	UCP206		42.9	165	121		48	21		18	83	38.1	15.9	19.6	11.3					1260
35	UCP207		47.6	167	127				17	19	94	42.9	17.5	25.9	15.4					1590
40	UCP208		49.2	184	137			25			100	49.2		29.3	17.9	M8 × 1	1180			1920
45	UCP209		54	190	146		54	22		20	108	49.2	19	33	20.5					2190
50	UCP210		57.2	206	159		60	25	20	22	114	51.6		35.5	23.2	M10 × 1.25	2350	3550		2590

Ⓢ kgf = N × 0.101972

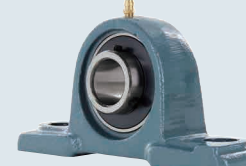
Part Number Example **PDRHT12**



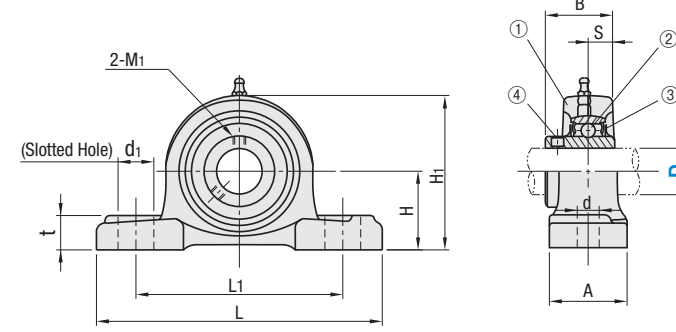
Pillow Blocks

Cast Iron Pillow Block (High Center Type)

Features: Higher center position than PDR (JIS Nominal UCP200).



PDRM (High Center Type)



Components	Material
① Housing	Cast Iron Class 30
② Bearing	52100 Bearing Steel
③ Rubber Seal	Silicone
④ Set Screw	4137 Alloy Steel

Accuracy: JIS B 1558,
JIS B 1559
Bearing Inner Diameter Tolerance: H7 (Clearance Fit)
Operating Temperature: -15 to +100°C
Ⓢ Ball bearing moves slightly due to self-aligning function.

Part Number	Type	D	JIS Nominal	H	L	L1	A	d1	d	t	H1	B	S	Basic Load Rating (kN)		Set Screw			Weight (g)
														Cr (Dynamic)	Cor (Static)	M1	Tightening Torque (N-cm)	Axial Load Capacity (N)	
25	UCP305		45	175	132	45		20		16	84	38	15	21.3	10.9	M6 × 0.75	390	1065	1600
30	UCP306		50	180	140	50			17	19	94	43	17	26.8	15	M6 × 0.75	390	1340	1900
35	UCP307		56	210	160	56	25			21	105	48	19	33.5	19.2	M8 × 1	830	1675	2700
40	UCP308		60	220	170	60	27			23	116	52	22	40.5	23.9	M10 × 1.25	1620	2025	3120
45	UCP309		67	245	190	67	30			25	128	57	22	51.5	29.5	M10 × 1.25	1620	2575	4130
50	UCP310		75	275	212	75	35			28	143	61	22	61.5	38.2	M12 × 1.5	2790	3075	5680

Ⓢ kgf = N × 0.101972

Part Number Example **PDRM25**