




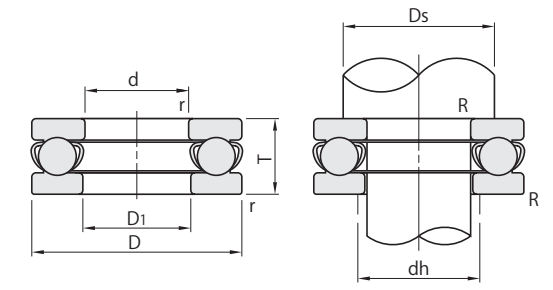
# Thrust Ball Bearings

Thrust Ball Bearings



**RoHS 10**

**B511\_\_**    **SSB511\_\_**  
**B512\_\_**



**Material:** Steel Type 52100 Bearing Steel  
Stainless Steel Type 440C Stainless Steel or Equivalent  
Bearing Accuracy JIS B 1514 Class 0

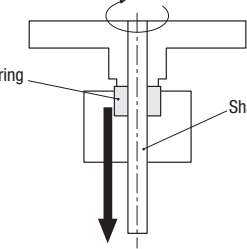
ⓘ The raceway plates and the retainer comes apart easily. Take care when opening the product package.

Part Number		d	D	D1 (min)	T	r (min)	Basic Load Rating				Allowable Rotational Speed rpm (Reference)	Relative Dimensions			Mass (Reference)	
							Ca (Dynamic) kN	Coa (Static) kN	Ca (Dynamic) kN	Coa (Static) kN		Steel Type	Stainless Steel Type	Ds (min)	dh (max.)	R (max.)
B51100	SB51100	10	24	11	9	0.3	10.1	14	5	6.96	6700	18	16	0.3	19	21
B51200	-	10	26	12	11	0.6	12.8	17.1	-	-	6000	20	16	0.6	28	-
B51101	SB51101	12	26	13	9	0.3	10.4	15.4	5.15	7.7	6700	20	18	0.3	21	23
B51201	-	12	28	14	11	0.6	13.3	19	-	-	5600	22	18	0.6	31	-
B51102	SB51102	15	28	16	9	0.3	10.6	16.8	5.25	8.38	6300	23	20	0.3	23	24
B51202	-	15	32	17	12	0.6	16.7	24.8	-	-	5000	25	22	0.6	43	-
B51103	SB51103	17	30	18	9	0.3	11.4	19.5	5.39	9.07	6000	25	22	0.3	25	26
B51203	-	17	35	19	12	0.6	17.3	27.3	-	-	4800	28	24	0.6	50	-
B51104	SB51104	20	35	21	10	0.3	15.1	26.6	7.11	12.36	5300	29	26	0.3	37	40
B51204	-	20	40	22	14	0.6	22.5	37.5	-	-	4300	32	28	0.6	77	-
B51105	SB51105	25	42	26	11	0.6	19.7	37	9.76	18.63	4800	35	32	0.6	56	60
B51205	-	25	47	27	15	0.6	28	50.5	-	-	3800	38	34	0.6	111	-
B51106	SB51106	30	47	32	11	0.6	20.6	42	10.2	21.08	4300	40	37	0.6	64	69
B51206	-	30	52	32	16	0.6	29.5	58	-	-	3400	43	39	0.6	137	-
B51107	-	35	52	37	12	0.6	20.4	44.5	-	-	4000	45	42	0.6	85	-
B51207	-	35	62	37	18	1	39	78	-	-	3000	51	46	1	215	-
B51108	-	40	60	42	13	0.6	26.9	63	-	-	3600	52	48	0.6	125	-
B51208	-	40	68	42	19	1	47	98.5	-	-	2800	57	51	1	276	-
B51109	-	45	65	47	14	0.6	27.9	69	-	-	3400	57	53	0.6	148	-
B51209	-	45	73	47	20	1	48	105	-	-	2600	62	56	1	317	-
B51110	-	50	70	52	14	0.6	28.8	75.5	-	-	3200	62	58	0.6	161	-
B51210	-	50	78	52	22	1	48.5	111	-	-	2400	67	61	1	378	-
B51111	-	55	78	57	16	0.6	35	93	-	-	2800	69	64	0.6	226	-
B51211	-	55	90	57	25	1	69.5	159	-	-	2200	76	69	1	608	-
B51112	-	60	85	62	17	1	41.5	113	-	-	2600	75	70	1	296	-
B51212	-	60	95	62	26	1	73.5	179	-	-	2000	81	74	1	676	-
B51113	-	65	90	67	18	1	41.5	117	-	-	2400	80	75	1	338	-
B51114	-	70	95	72	18	1	43	127	-	-	2400	85	80	1	356	-
B51115	-	75	100	77	19	1	44.5	136	-	-	2200	90	85	1	399	-


Part Number Example

**B51200**  
**SB51100**

Application Example

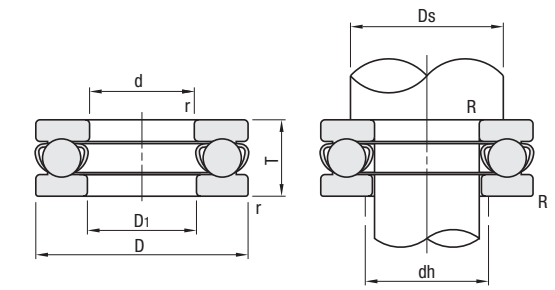


Thrust Ball Bearings



**RoHS 10**

**B29\_\_**



**Material:** Steel Type 52100 Bearing Steel  
Equivalent Bearing Accuracy JIS B 1514 Class 0

ⓘ The raceway plates and the retainer comes apart easily. Take care when opening the product package.

Part Number	d	D	D1 (min)	T	r (min)	Basic Load Rating		Allowable Rotational Speed RPM (Reference)	Relative Dimensions			Mass (g) (Reference)
						Ca (Dynamic) kN	Coa (Static) kN		Ds (min.)	dh (max.)	R (max.)	
B2900	10	26	10.2	12	0.6	12.7	17.1	5600	19.6	16.4	0.6	35
B2901	12	28	12.2	12	0.6	13.2	19	5400	21.6	18.4	0.6	37
B2902	15	31	15.2	12	0.6	14.3	22.8	5100	25	21	0.6	41
B2903	18	35	18.2	12	0.6	14.4	24.7	4800	28	25	0.6	45
B2904	20	37	20.2	12	0.6	14.8	26.6	4700	30	27	0.6	55
B2905	25	45	25.2	14	0.6	19.3	37	3900	37	33	0.6	93

Part Number Example

**B2900**

Application Example

