




Deep Groove Ball Bearings Double Shielded

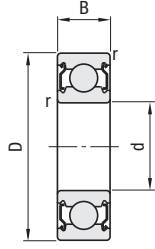
Features: Applicable for high load, high speed and high speed with accuracy applications.

Deep Groove Ball Bearings – Double Shielded

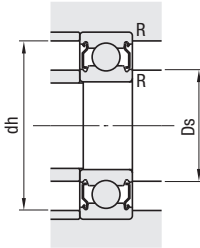


RoHS 10

B6__ZZ



Installation Diagram



Material: 52100 Bearing Steel
Bearing Accuracy JIS B 1514 Class 0

Kgf=Nx0.101972

Part Number	d	D	B	r (min)	Basic Load Rating		Allowable Rotational Speed (rpm) (Reference)	Relative Dimensions			Mass (g) (Reference)	
					Cr (Dynamic) kN	Cor (Static) kN		Ds		dh (max)		R (max)
								(min)	(max)			
B6700ZZ	10	15	4	0.2	0.85	0.43	15000	10.4	11.21	14.2	0.2	2
B6800ZZ	10	19	5	0.3	1.83	0.925	34000	12	12.5	17	0.3	5
B6900ZZ	10	22	6	0.3	2.7	1.27	32000	12	13	20	0.3	9
B6000ZZ	10	26	8	0.6	4.55	1.96	30000	14	13.5	24	0.6	19
B6200ZZ	10	30	9	0.6	5.1	2.39	24000	14	16	26	0.6	32
B6300ZZ	10	35	11	0.6	8.1	3.45	21000	14	16.5	31	0.6	52
B6701ZZ	12	18	4	0.2	0.92	0.53	13000	12.4	13.86	16.7	0.2	3
B6801ZZ	12	21	5	0.3	1.92	1.04	32000	14	14.5	19	0.3	6
B6901ZZ	12	24	6	0.3	2.89	1.46	30000	14	15	22	0.3	11
B6001ZZ	12	28	8	0.6	5.1	2.39	27000	16	16	26	0.6	21
B6201ZZ	12	32	10	0.6	6.1	2.75	22000	16	17	28	0.6	37
B6301ZZ	12	37	12	1	9.7	4.2	19000	17	18	32	1	60
B6702ZZ	15	21	4	0.2	0.93	0.58	11000	15.4	16.86	19.7	0.2	4
B6802ZZ	15	24	5	0.3	2.08	1.26	27000	16.5	16.5	22	0.3	7
B6902ZZ	15	28	7	0.3	3.65	2	26000	17	18.5	26	0.3	16
B6002ZZ	15	32	9	0.6	5.6	2.83	23000	19	19	30	0.6	30
B6202ZZ	15	35	11	0.6	7.75	3.6	19000	19	20	31	0.6	45
B6302ZZ	15	42	13	1	11.4	5.45	17000	20	22.5	37	1	83
B6703ZZ	17	23	4	0.2	1	0.65	9500	17.4	18.86	21.1	0.2	4
B6803ZZ	17	26	5	0.3	2.23	1.46	25000	19	19.5	24	0.3	8
B6903ZZ	17	30	7	0.3	4.65	2.58	23000	19	20	28	0.3	18
B6003ZZ	17	35	10	0.6	6.8	3.35	20000	21	21	33	0.6	39
B6203ZZ	17	40	12	0.6	9.6	4.6	17000	21	23	36	0.6	66
B6303ZZ	17	47	14	1	13.6	6.65	15000	22	25.5	42	1	113
B6403ZZ	17	62	17	1.1	22.7	10.8	14000	23.5	—	55.5	1	270
B6704ZZ	20	27	4	0.2	1.4	0.72	8500	20.4	22.36	25.5	0.2	6
B6804ZZ	20	32	7	0.3	4	2.47	20000	22	22.5	30	0.3	19
B6904ZZ	20	37	9	0.3	6.4	3.7	19000	24	24	35	0.3	36
B6004ZZ	20	42	12	0.6	9.4	5.05	17000	24	26	38	0.6	69
B6204ZZ	20	47	14	1	12.8	6.65	14000	25	28	42	1	106
B6304ZZ	20	52	15	1.1	15.9	7.9	13000	26.5	28	45.5	1	145
B6404ZZ	20	72	19	1.1	28.5	13.9	12000	26.5	—	65.5	1	400
B60-22ZZ	22	44	12	0.6	9.4	5.05	17000	26	26.5	40	0.6	74
B62-22ZZ	22	50	14	1	12.9	6.8	14000	27	29.5	45	1	117
B63-22ZZ	22	56	16	1.1	18.4	9.25	13000	28.5	31	49.5	1	176
B6805ZZ	25	37	7	0.3	4.3	2.95	18000	27	28	35	0.3	22
B6905ZZ	25	42	9	0.3	7.05	4.55	16000	27	29	40	0.3	42
B6005ZZ	25	47	12	0.6	10.1	5.85	15000	29	30.5	43	0.6	80
B6205ZZ	25	52	15	1	14	7.85	12000	30	32	47	1	128
B6305ZZ	25	62	17	1.1	20.6	11.2	11000	31.5	36	55.5	1	235
B6405ZZ	25	80	21	1.5	34.5	17.5	10000	33	—	72	1.5	530
B60-28ZZ	28	52	12	0.6	12.5	7.4	14000	32	34	48	0.6	98
B62-28ZZ	28	58	16	1	17.9	9.75	12000	33	35.5	53	1	171
B63-28ZZ	28	68	18	1.1	26.7	14	11000	34.5	38.5	61.5	1	284
B6806ZZ	30	42	7	0.3	4.7	3.65	15000	32	33	40	0.3	26
B6906ZZ	30	47	9	0.3	7.25	5	14000	32	34	45	0.3	48
B6006ZZ	30	55	13	1	13.2	8.3	12000	35	37	50	1	116
B6206ZZ	30	62	16	1	19.5	11.3	10000	35	39	57	1	199
B6306ZZ	30	72	19	1.1	26.7	15	9200	36.5	42.5	65.5	1.1	345
B6406ZZ	30	90	23	1.5	43.5	23.9	8800	38	—	82	1.5	735
B60-32ZZ	32	58	13	0.6	11.8	8.05	12000	37	39	53	0.6	129
B62-32ZZ	32	65	17	1	20.7	11.6	11000	37	40	60	1	226
B63-32ZZ	32	75	20	1.1	29.8	16.9	9500	38.5	43.5	68.5	1	382
B6807ZZ	35	47	7	0.3	4.9	4.05	13000	37	38	45	0.3	29
B6907ZZ	35	55	10	0.6	9.55	6.85	12000	39	40	51	0.6	74
B6007ZZ	35	62	14	1	16	10.3	11000	40	42	57	1	155
B6207ZZ	35	72	17	1.1	25.7	15.3	9000	41.5	45	65.5	1	288
B6307ZZ	35	80	21	1.5	33.5	19.2	8400	43	47	72	1.5	469
B6407ZZ	35	100	25	1.5	55	31	7800	43	—	92	1.5	952

Kgf=Nx0.101972

Part Number	d	D	B	r (min)	Basic Load Rating		Allowable Rotational Speed (rpm) (Reference)	Relative Dimensions			Mass (g) (Reference)	
					Cr (Dynamic) kN	Cor (Static) kN		Ds		R (max)		
								(min)	(max)			
B6808ZZ	40	52	7	0.3	5.1	4.4	12000	42	43	50	0.3	33
B6908ZZ	40	62	12	0.6	12.2	8.9	11000	44	45	58	0.6	110
B6008ZZ	40	68	15	1	16.8	11.5	9500	45	47	63	1	190
B6208ZZ	40	80	18	1.1	29.1	17.8	8200	46.5	51	73.5	1	366
B6308ZZ	40	90	23	1.5	40.5	24	7500	48	53	82	1.5	636
B6408ZZ	40	110	27	2	63.5	36.5	7000	49	—	101	2	1230
B6809ZZ	45	58	7	0.3	6.18	5.38	11000	47	47.5	56	0.3	38
B6909ZZ	45	68	12	0.6	14.1	10.8	9500	49	50	64	0.6	126
B6009ZZ	45	75	16	1	20.9	15.2	8800	50	53.5	70	1	241
B6209ZZ	45	85	19	1.1	31.5	20.4	7500	51.5	55.5	78.5	1	420
B6309ZZ	45	100	25	1.5	53	32	6700	53	61.5	92	1.5	829
B6810ZZ	50	65	7	0.3	6.6	6.09	9500	52	52.5	63	0.3	50
B6910ZZ	50	72	12	0.6	14.5	11.7	9000	54	55	68	0.6	135
B6010ZZ	50	80	16	1	21.8	16.6	8300	55	57.5	75	1	261
B6210ZZ	50	90	20	1.1	35	23.2	7000	56.5	60	83.5	1	454
B6310ZZ	50	110	27	2	62	38	6000	59	68	101	2	1006
B6410ZZ	50	130	31	2.1	83	49.5	5700	61	—	119	2	2290
B6811ZZ	55	72	9	0.3	8.8	8.1	8700	57	59	70	0.3	83
B6911ZZ	55	80	13	0.6	16	13.3	8200	60	61.5	75	0.6	180
B6011ZZ	55	90	18	1.1	28.3	21.2	7700	61.5	64	83.5	1	388
B6211ZZ	55	100	21	1.5	43.5	29.2	6400	63	67	92	1.5	601
B6311ZZ	55	120	29	2	71.5	45	5800	64	74	111	2	1370
B6812ZZ	60	78	10	0.3	11.5	10.6	8000	62	64.5	76	0.3	106
B6912ZZ	60	85	13	0.6	16.4	14.3	7600	65	66.5	80	0.6	193
B6012ZZ	60	95	18	1.1	29.5	23.2	7000	66.5	69	88.5	1	414
B6212ZZ	60	110	22	1.5	52.5	36	6000	68	75	102	1.5	783
B6312ZZ	60	130	31	2.1	82	52	5400	71	80.5	119	2	1730
B6813ZZ	65	85	10	0.6	11.6	11	7400	69	70	81	0.6	128
B6913ZZ	65	90	13	1	17.4	16.1	7000	70	71.5	85	1	206
B6013ZZ	65	100	18	1.1	30.5	25.2	6500	71.5	74	93.5	1	421
B6213ZZ	65	120	23	1.5	57.5	40	5500	73	80.5	112	1.5	990
B6313ZZ	65	140	33	2.1	92.5	60	4900	76	86	129	2	2080
B6814ZZ	70	90	10	0.6	12.1	11.9	6900	74	75.5	86	0.6	137
B6914ZZ	70	100	16	1	23.7	21.2	6500	75	77.5	95	1	334
B6014ZZ	70	110	20	1.1	38	31	6100	76.5	80.5	103.5	1	604
B6214ZZ	70	125	24	1.5	62	44	5100	78	85	117	1.5	1070
B6314ZZ	70	150	35	2.1	104	68	4600	81	92.5	139	2	2520
B6815ZZ	75	95	10	0.6	12.5	12.9	6400	79	80	91	0.6	145
B6915ZZ	75	105	16	1	24.4	22.6	6100	80	82.5	100	1	353
B6015ZZ	75	115	20	1.1	39.5	33.5	5700	81.5	85.5	108.5	1	649
B6215ZZ	75	130	25	1.5	66	49.5	4800	83	90.5	122	1.5	1180
B6315ZZ	75	150	35	2.1	104	68	4600	81	92.5	139	2	2520
B6816ZZ	80	100	10	0.6	12.7	13.3	6000	84	85	96	0.6	154
B6916ZZ	80	110	16	1	24.9	24	5700	85	88	105	1	373
B6016ZZ	80	125	22	1.1	47.5	40	5300	86.5	91.5	118.5	1	854
B6216ZZ	80	140	26	2								