



# Stepped Screws / Wing Hinge Screws

Low Head Selectable

Screws / Washers / Nuts

Stepped Screws RoHS10

Type	Material	Surface Treatment
DBB	1045 Carbon Steel	Black Oxide
DBM	1045 Carbon Steel	Electroless Nickel Plating
DBS	303 Stainless Steel	-

Part Number		L	F				E	Dh7	A	B	ℓ	h1
Type	M (Coarse)											
DBB DBM DBS	3	3	3	4	5	6	2	5	8	2	1	2
		4	3	4	5	6						
		5	3	4	5	6						
		6	3	4	5	6						
		7	4	5	6							
		8	4	5	6							
	4	3	4	5	6	8	2.8	6	10	2.5	1.2	2.5
		4	4	5	6	8						
		5	4	5	6	8						
		6	4	5	6	8						
		7	4	5	6	8						
		8	5	6	8							
5	3	5	8	10		3.5	8	12	3	1.4	3	
	4	5	8	10								
	5	5	8	10								
	6	5	8	10								
	7	5	8	10								
	8	5	8	10								
6	3	8	10	12		4	10	16	4	1.5	3.5	
	4	8	10	12								
	5	8	10	12								
	6	8	10	12								
	7	8	10	12								
	10	8	10	12								

For orders larger than indicated quantity, please request a quotation.

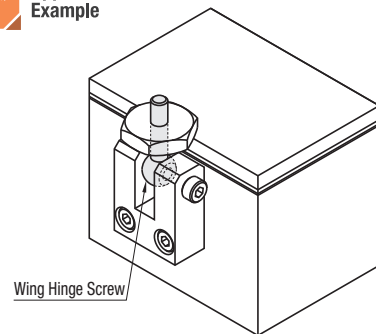
Wing Hinge Screws RoHS10

DNDN

Material: 304 Stainless Steel

Part Number		L	D	B	M	F
Type	P					
DNDN	6	30	12	6	6	22
		50				30
		30				20
	8	50	16	8	8	30
		60				30
		30				30
	10	50	20	10	10	30
		70				40
		100				50
	12	50	24	12	12	30
		80				45
		100				60
16	100	32	16	16	50	

Application Example



For orders larger than indicated quantity, please request a quotation.

Part Number Example: DBS6 - 3 - 10  
DNDN6 - 30 -

Screws / Washers / Nuts

# Stepped Screws

Extra Low Head / Low Head / Button Head Cap Screws / Phillips

RoHS10

Extra Low Head	Low Head	Button Head Cap Screws	Phillips	Material	Surface Treatment
DBGB	DBTB	DBBB	DBJB	1045 Carbon Steel	Black Oxide
DBGM	DBTM	DBBM	DBJM	1045 Carbon Steel	Electroless Nickel Plating
DBGS	DBTS	DBBS	DBJS	303 Stainless Steel	-

Reference: Tensile Breaking Load (N)

	Extra Low Head	Low Head	Button Head Cap	Phillips
M3		1950		
M5		4630		

\*The above data are for reference, not guaranteed.

Extra Low Head

Low Head

Button Head Cap

Phillips

Extra Low Head

Part Number		1mm Increment		E	D	A	B	ℓ	h1
Type	M (Coarse)	L	F						
DBGB DBGM DBGS	3	5-20	3-6	1.5	5	8	1.5	1	1.5
	4		4-8						
	5		5-10						
	6		6-12						
	8		8-12						
	10		10-15						

Low Head

Part Number		1mm Increment		E	D	A	B	ℓ	h1
Type	M (Coarse)	L	F						
DBTB DBTM DBTS	3	3-20	3-6	1.5	2	5	2	1	2
	4		4-8						
	5		5-10						
	6		6-12						
	8		8-12						
	10		10-15						

Button Head Cap Screws

Part Number		1mm Increment		E	D	A	B	ℓ	h1
Type	M (Coarse)	L	F						
DBBB DBBM DBBS	3	5-20	3-6	1.5	2.8	5	8	2	2
	4		4-8						
	5		5-10						
	6		6-12						
	8		8-12						
	10		10-15						

Phillips

Part Number		1mm Increment		E	D	A	ℓ
Type	M (Coarse)	L	F				
DBJB DBJM DBJS	3	1-20	3-6	1.5	2.8	5	8
	4		4-8				
	5		5-10				
	6		6-12				
	8		8-12				
	10		10-15				

Part Number Example: DBTS6 - 3 - 10

Part Number Alterations: DBJM6 - 3.4 - 10 - LTC

Alterations	Code	Spec.	Price Adder
	LTC	L Dimension Increment LTC=0.1mm Increment	
	PC	Adds a relief on M.	

D	M x Pitch	g	f
5	M3 x 0.5	1	2.3
6	M4 x 0.7	1.2	3.2
8	M5 x 0.8	1.4	4.0
10	M6 x 1.0	1.7	4.8
12	M8 x 1.25	1.7	6.5
15	M10 x 1.5	2	8.2