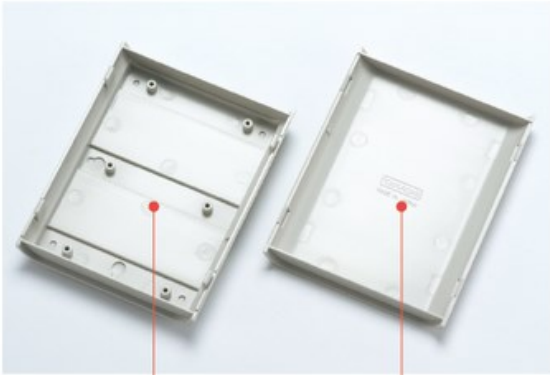




Technical Data
Protection class: IP40
Operating temperature: -10°C ~ +60°C



2

1

- Rounded shape design.
- Suitable for wall-mount communication device usage.
- Snap on / off cover. No screws are required.

Components

No.	Part name	Material	Color / Finish
1	Cover	ABS UL94HB	Light gray • White
2	Base	ABS UL94HB	Light gray • White

Accessories (Optional parts)



Tapping standoff TPS series
See page 111

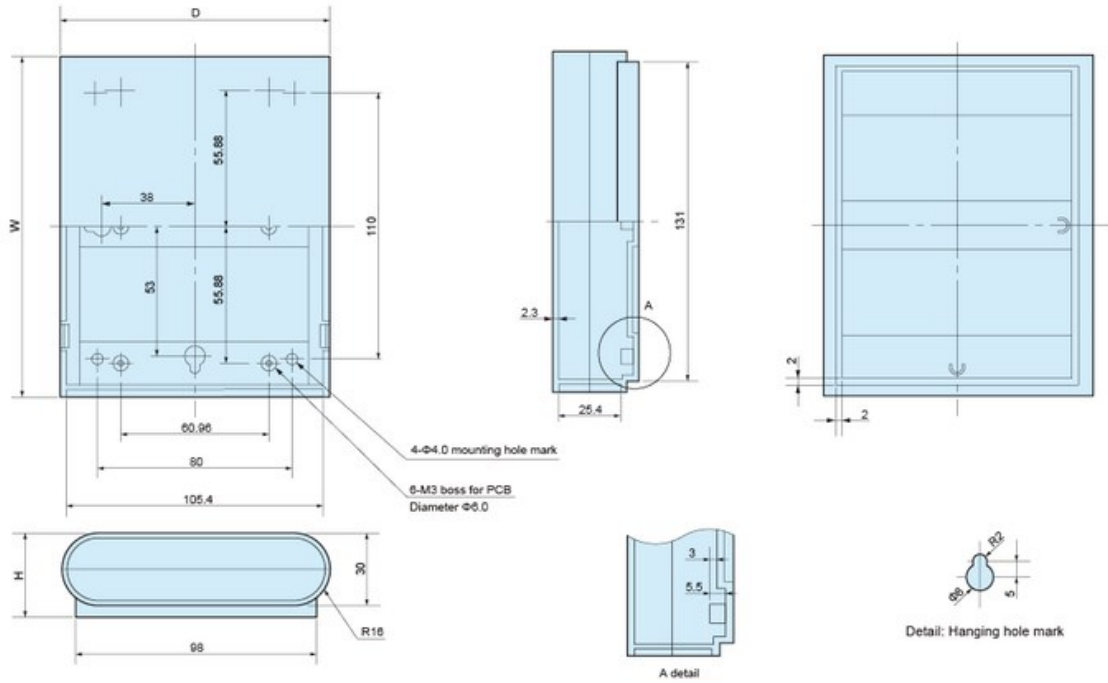


PCB mounting screw EM series
See page 115

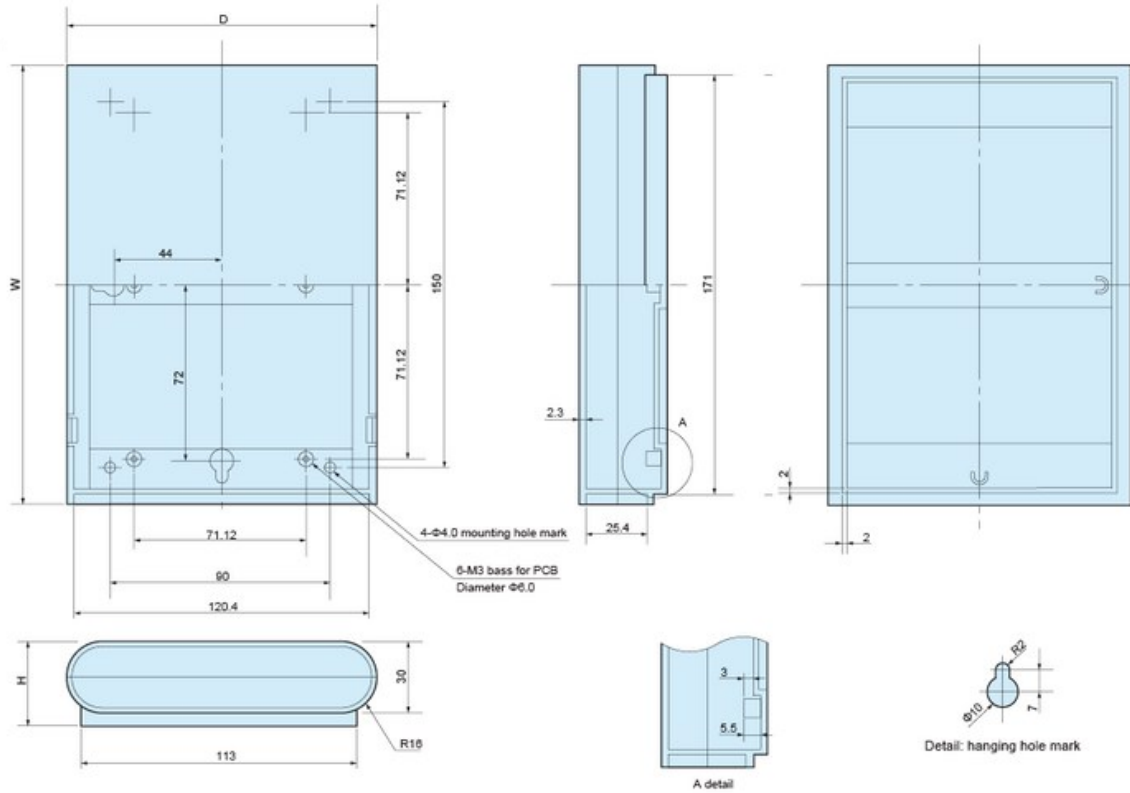
SU dimensions

■ DXF/DWG/PDF drawings available on our website.

SU-140



SU-180



Product no. / Dimensions

Product no.		Dimensions			Weight (g)
● Light gray	● White	W	H	D	
SU-140G	SU-140W	140	35	110	100
SU-180G	SU-180W	180	35	125	140