

Flashing Beacons

SL series

LED life 100,000 hours^{*1}

Cable Type IP23 IP65^{*2}

Screwless Terminal Type IP66

Sound Pressure 88dB

KT type SL08: 86dB

Light Patterns Continuous Blinking Triple-flash

Video of light patterns:



SL08: Φ80mm SL10: Φ100mm SL15: Φ150mm



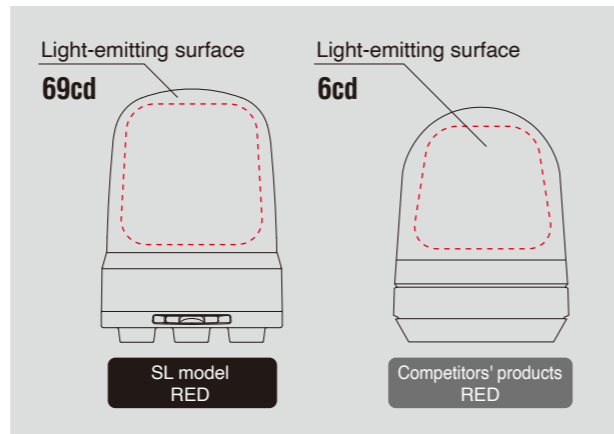
*1 Manufacturer specified value
*2 When used with rubber-gasket (Sold Separately)

Full Visibility

The newly developed Fresnel lens distributes ambient, uniform light from all surfaces of the globe, including the top.



Compared to competing products, the SL has a wider, light-emitting surface, with over 5 times the luminous intensity.

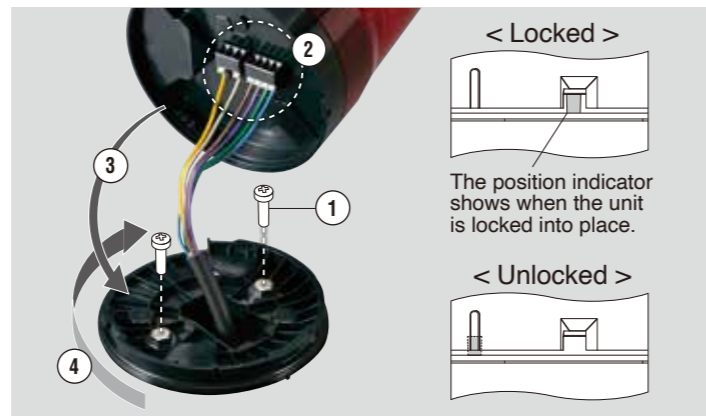


Easy Mounting

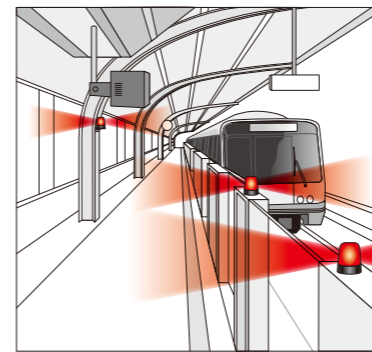
IP66 rating (KT type)

- 1 Screw in the mounting bracket
- 2 Connect wires to the push-in terminal block
- 3 Mount the body onto the mounting bracket
- 4 Lock into place

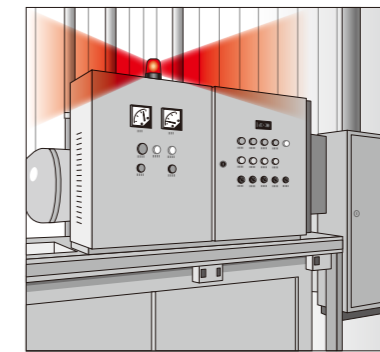
Mounting video



Application Examples



At this train station, a combination of flashing light and sound from the SL warns people at the platform of approaching trains.



The SL on this control panel alternates between continuous, blinking, and triple flashing lights to indicate normal, warning, and critical conditions respectively.



This SL is mounted on the ceiling of a store, indicating emergencies by flashing light, which is visible from a distance.

Model Number Configuration

SL10-M1KTB-R

Size
08 : Φ80mm
10 : Φ100mm
15 : Φ150mm^{*1}

Rated Voltage
M1 : 12-24V DC
M2 : 100-240V AC

LED Color
R : Red
Y : Amber
G : Green
B : Blue

Mounting / Wiring / Buzzer

JN : 3-Screw Mounting / Cable / No Buzzer
KTN : 2-Point Hole Type Mounting^{*2} / Terminal Block / No Buzzer
KTB : 2-Point Hole Type Mounting / Terminal Block / With Buzzer

*1 JN or KTN type only *2 SL15: 3-point hole type mounting

Rubber Gasket (Sold Separately) IP65

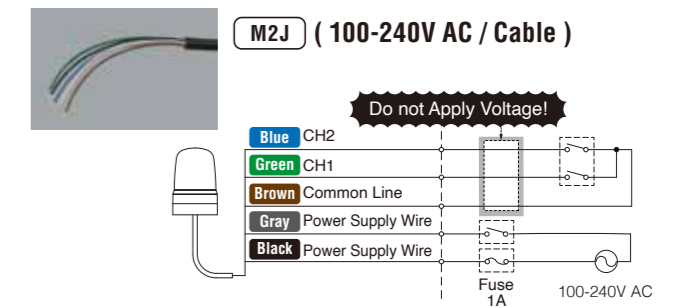
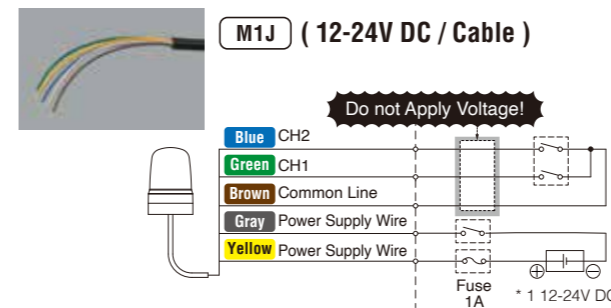
For SL08
SZW-102

For SL10
SZW-103

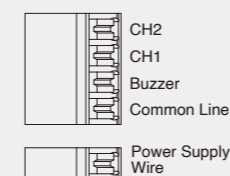


For 3-Screw Mounting / Cable type

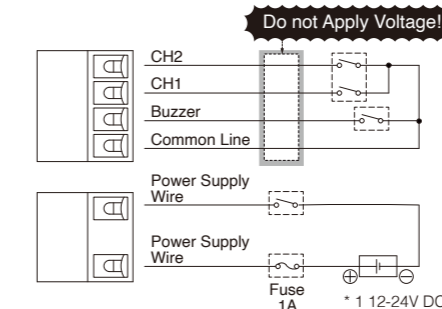
Wiring Diagrams



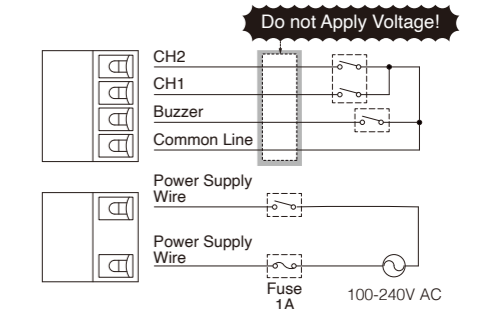
Terminal block arrangement



M1KT (12-24V DC / 2-Point Hole Type Mounting^{*2} - Terminal Block)



M2KT (120-240V AC / 2-Point Hole Type Mounting^{*2} - Terminal Block)



*1 Nonpolar. UL Class 2 specification
*2 SL15: 3-point hole type mounting

Optional Parts

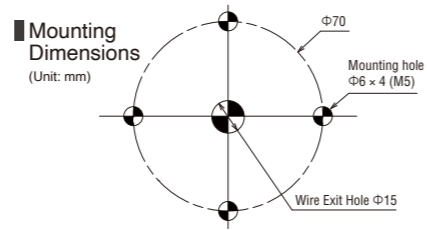
For Wall Mounting



Wall Mounting Bracket
(For $\Phi 80\text{mm}$ / $\Phi 100\text{mm}$)
SZK-101

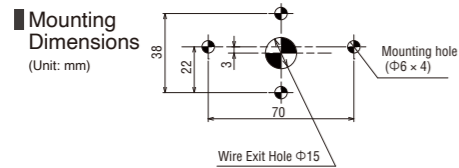
Material: PC
Compatible models: SKS * / SKH * / SL08-SL10 / SF08-SF10

* 3-screw types require rubber mounting.



Wall Mounting Bracket
(For $\Phi 80\text{mm}$ / $\Phi 100\text{mm}$)
SZK-102 **Resistant to Rust**

Material: SUS
Compatible models: SKS-SKH / SL08-SL10 / SF08-SF10



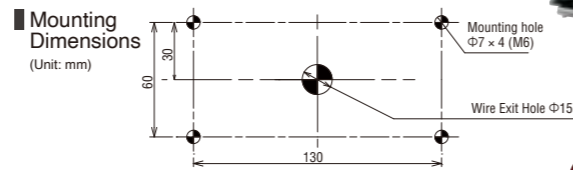
Wall Mounting Bracket Cover
SZK-104

Material: PC
Compatible models: SZK-102



Wall Mounting Bracket
(For $\Phi 150\text{mm}$)
SZK-103 **Resistant to Rust**

Material: SUS
Compatible models: SKP / SL15



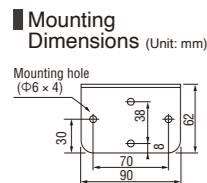
Wall Mounting Bracket Cover
SZK-105

Material: PC
Compatible models: SZK-103



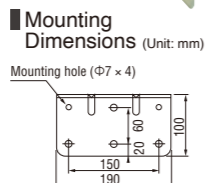
Wall Mounting Bracket
SZ-007

Material: SECC
Compatible models: SKS-SKH / SF08-J / SF10-J / SL08-J / SL10-J



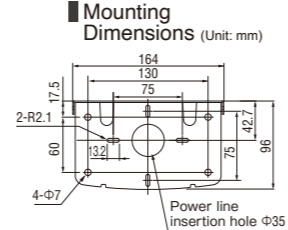
Wall Mounting Bracket
SZ-008

Material: SECC
Compatible models: SKS-SKH-SKP / SF08-J / SF10-J / SL08-J / SL10-J / SL15-J



Wall Mounting Bracket
SZ-023

Material: Bracket...SECC / Bracket Cover...AES
Compatible models: SKS-SKH-SKP / SF08-J / SF10-J / SL08-J / SL10-J / SL15-J

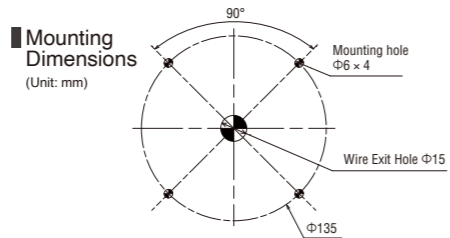


For Ceiling Mounting



Circular Bracket
(For $\Phi 100\text{mm}$)
SZW-101

Material: SPCE
Compatible models: SKH / SL10 / SF10



Rubber Mounting

Using this rubber mounting, IP23 models become IP65.



Rubber Gasket
(For $\Phi 80\text{mm}$)
SZW-102

Material: Silicon
Compatible models: SKS / SL08-J / SF08-J
3-Screw Mounting Type



Rubber Gasket
(For $\Phi 100\text{mm}$)
SZW-103

Material: Silicon
Compatible models: SKH / SL10-J / SF10-J
3-Screw Mounting Type



For Pole Mounting



Circular Bracket
(For $\Phi 100\text{mm}$)
SZP-101

Material: PC
Compatible models*: SKH / SL10 / SF10

*1 3-screw types require rubber mounting.



Aluminum Pole N type (non-threaded)

100mm	POLE22-0100AN
300mm	POLE22-0300AN
500mm*2	POLE22-0500AN
800mm*2	POLE22-0800AN
1000mm*2	POLE22-1000AN

*2 Compatible brackets: SZK-001U, SZP-002U, SZ-010

Aluminum Pole Bracket (Compatible with N type)



Aluminum Pole T type (threaded)

100mm	POLE22-0100AT
300mm	POLE22-0300AT
500mm	POLE22-0500AT
800mm	POLE22-0800AT
1000mm	POLE22-1000AT

Aluminum Pole Bracket (Compatible with T type)



Aluminum Pole Bracket (Compatible with N and T types)





Replacement Parts

Compatible with all SL, SK, and SF Models

	SKS/SF08/SL08 $\Phi 80\text{mm}$		SKH*3/SF10/SL10 $\Phi 100\text{mm}$		SKP*4/SL15 $\Phi 150\text{mm}$	
	Globe 	Red	GA0000029-F1	Red	GA0000033-F1	Red
	Amber	GA0000030-F1	Amber	GA0000034-F1	Amber	GA0000038-F1
	Green	GA0000031-F1	Green	GA0000035-F1	Green	GA0000039-F1
	Blue	GA0000032-F1	Blue	GA0000036-F1	Blue	GA0000040-F1
Waterproof ring 	GA0000794-F1		GA0000795-F1		GA0000796-F1	

For KT Type (2-point or 3-point hole type mounting / terminal block)

	SF08/SL08 $\Phi 80\text{mm}$	SF10/SL10 $\Phi 100\text{mm}$	SL15 $\Phi 150\text{mm}$
Mounting bracket With : waterproof ring / waterproof sheet 	GA0000512-F1	GA0000513-F1	GA0000514-F1
Waterproof sheet 	GA0000498-F1	GA0000499-F1	GA0000500-F1

* 3 Not compatible with SKH-A / SKH-EA. * 4 Not compatible with SKP-A.