

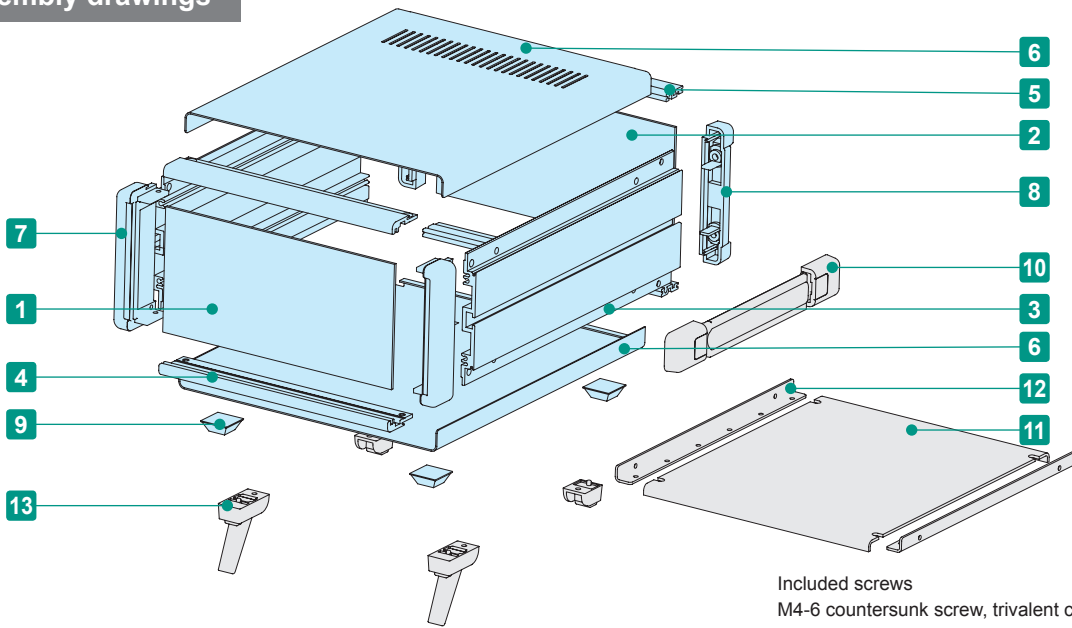
# MSY SERIES

# DESKTOP ENCLOSURE with CARRYING HANDLE



- Available in 3 different colors and 160 different sizes.
- Maximum load support of 20kg.

## Assembly drawings



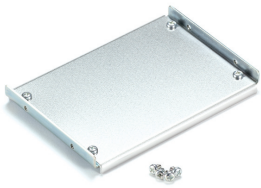
Included screws  
 M4-6 countersunk screw, trivalent chromate x 4 pcs  
 M4-8 Pan head screw, trivalent chromate x 8 pcs  
 M4-10 Binding head screw, black trivalent chromate x 4 pcs

### Components

No.	Part name	Pcs	Material	Color / Finish
1	Front panel	1	Aluminium A1050P t=2.0	Silver • Black / Hairline brushed & Anodized
2	Rear panel	1	Aluminium A1050P t=2.0	Silver • Black / Anodized
3	Side frame	2	Extruded aluminium A6063S-T5	Gray • Black / Painted
4	Front frame	2	Extruded aluminium A6063S-T5	Gray • Black / Painted
5	Rear frame	2	Extruded aluminium A6063S-T5	Silver / Anodized
6	Top • Bottom cover	1 each	Steel SPCC t=1.0	Light gray • Black / Painted
7	Corner block	2	Diecast aluminium ADC12	Gray • Black / Painted
8	Rear feet	2	ABS UL94V-0	Gray • Black
9	Rubber feet	4	Polyurethane	Black
10	Carrying handle	1	PP + Elastomer	Gray • Black

■ Note: Front / rear panels are covered with a protective film on one side. Remove before assembly.

Accessories (Optional parts)



11 Mounting plate MSC series  
See page MSC • MSCL-1



12 L-bracket MSCL series  
See page MSC • MSCL-1



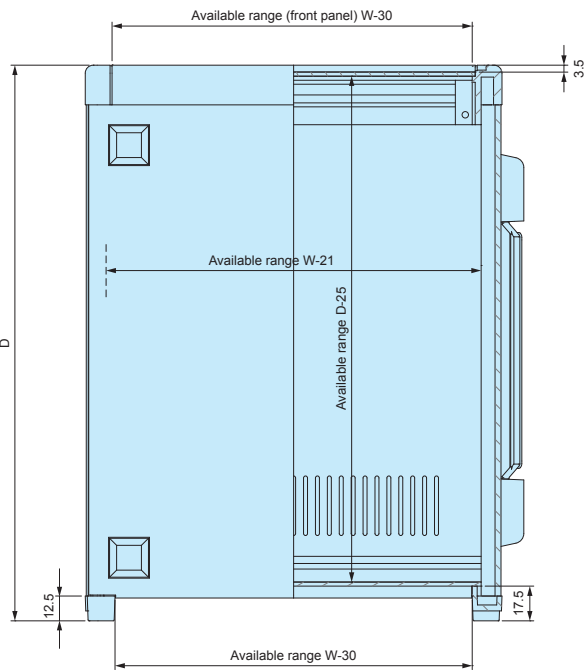
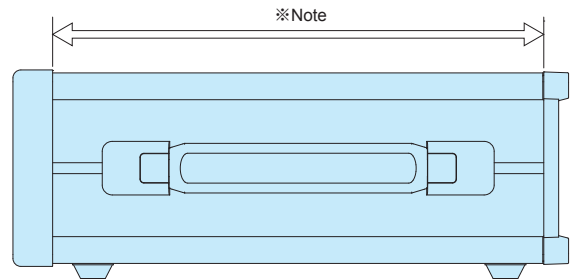
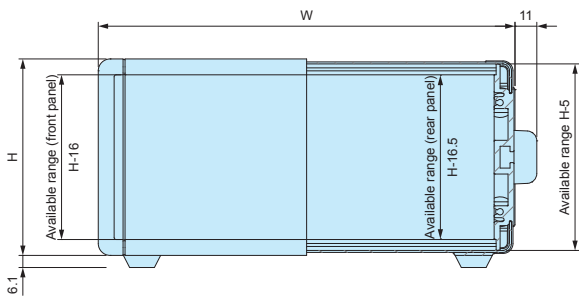
13 Tilt leg TL series  
See page TL • CBF-1



Cable hook CBF series  
See page TL • CBF-1

MSY dimensions

■ Drawings below are reference examples only.  
DXF/DWG/PDF drawings available on our website.



※ Note  
Carrying handle location can be freely affixed within denoted range.

■ Top • Bottom cover of sizes 160×230, 160×280 do not have ventilation holes.

Color Type

■ Please suffix color code at the end of the product number.

● G		● B		● BS	
Panel	Silver	Panel	Black	Panel	Silver
Top • Bottom cover	Light gray	Top • Bottom cover	Black	Top • Bottom cover	Black
Side frame	Gray	Side frame	Black	Side frame	Black

**Product no. / Dimensions**

Product no.	H	W	D	Weight (kg)
MSY 66-16-23 □	66	160	230	1.4
MSY 66-16-28 □	66	160	280	1.6
MSY 66-21-23 □	66	210	230	1.6
MSY 66-21-28 □	66	210	280	1.9
MSY 66-21-35 □	66	210	350	2.3
MSY 66-26-23 □	66	260	230	1.9
MSY 66-26-28 □	66	260	280	2.2
MSY 66-26-35 □	66	260	350	2.7
MSY 66-32-23 □	66	320	230	2.2
MSY 66-32-28 □	66	320	280	2.6
MSY 66-32-35 □	66	320	350	3.1
MSY 66-32-45 □	66	320	450	3.9
MSY 66-37-23 □	66	370	230	2.5
MSY 66-37-28 □	66	370	280	2.9
MSY 66-37-35 □	66	370	350	3.5
MSY 66-37-45 □	66	370	450	4.2
MSY 66-43-23 □	66	430	230	2.8
MSY 66-43-28 □	66	430	280	3.3
MSY 66-43-35 □	66	430	350	3.9
MSY 66-43-45 □	66	430	450	4.9
MSY 88-16-23 □	88	160	230	1.5
MSY 88-16-28 □	88	160	280	1.8
MSY 88-21-23 □	88	210	230	1.8
MSY 88-21-28 □	88	210	280	2.1
MSY 88-21-35 □	88	210	350	2.5
MSY 88-26-23 □	88	260	230	2.1
MSY 88-26-28 □	88	260	280	2.4
MSY 88-26-35 □	88	260	350	2.9
MSY 88-32-23 □	88	320	230	2.4
MSY 88-32-28 □	88	320	280	2.8
MSY 88-32-35 □	88	320	350	3.4
MSY 88-32-45 □	88	320	450	4.2
MSY 88-37-23 □	88	370	230	2.7
MSY 88-37-28 □	88	370	280	3.1
MSY 88-37-35 □	88	370	350	3.7
MSY 88-37-45 □	88	370	450	4.5
MSY 88-43-23 □	88	430	230	3.0
MSY 88-43-28 □	88	430	280	3.5
MSY 88-43-35 □	88	430	350	4.2
MSY 88-43-45 □	88	430	450	5.2

Product no.	H	W	D	Weight (kg)
MSY 99-16-23 □	99	160	230	1.6
MSY 99-16-28 □	99	160	280	1.8
MSY 99-21-23 □	99	210	230	1.8
MSY 99-21-28 □	99	210	280	2.1
MSY 99-21-35 □	99	210	350	2.6
MSY 99-26-23 □	99	260	230	2.2
MSY 99-26-28 □	99	260	280	2.5
MSY 99-26-35 □	99	260	350	3.0
MSY 99-32-23 □	99	320	230	2.5
MSY 99-32-28 □	99	320	280	2.9
MSY 99-32-35 □	99	320	350	3.5
MSY 99-32-45 □	99	320	450	4.3
MSY 99-37-23 □	99	370	230	2.7
MSY 99-37-28 □	99	370	280	3.2
MSY 99-37-35 □	99	370	350	3.8
MSY 99-37-45 □	99	370	450	4.6
MSY 99-43-23 □	99	430	230	3.1
MSY 99-43-28 □	99	430	280	3.6
MSY 99-43-35 □	99	430	350	4.3
MSY 99-43-45 □	99	430	450	5.3
MSY133-16-23 □	133	160	230	1.8
MSY133-16-28 □	133	160	280	2.1
MSY133-21-23 □	133	210	230	2.1
MSY133-21-28 □	133	210	280	2.4
MSY133-21-35 □	133	210	350	2.9
MSY133-26-23 □	133	260	230	2.4
MSY133-26-28 □	133	260	280	2.8
MSY133-26-35 □	133	260	350	3.3
MSY133-32-23 □	133	320	230	2.7
MSY133-32-28 □	133	320	280	3.2
MSY133-32-35 □	133	320	350	3.8
MSY133-32-45 □	133	320	450	4.6
MSY133-37-23 □	133	370	230	3.0
MSY133-37-28 □	133	370	280	3.5
MSY133-37-35 □	133	370	350	4.2
MSY133-37-45 □	133	370	450	5.0
MSY133-43-23 □	133	430	230	3.4
MSY133-43-28 □	133	430	280	3.9
MSY133-43-35 □	133	430	350	4.7
MSY133-43-45 □	133	430	450	5.8

**Product no. / Dimensions**

Product no.	H	W	D	Weight (kg)
MSY149-16-23 □	149	160	230	1.9
MSY149-16-28 □	149	160	280	2.2
MSY149-21-23 □	149	210	230	2.2
MSY149-21-28 □	149	210	280	2.5
MSY149-21-35 □	149	210	350	3.0
MSY149-26-23 □	149	260	230	2.5
MSY149-26-28 □	149	260	280	2.9
MSY149-26-35 □	149	260	350	3.4
MSY149-32-23 □	149	320	230	2.9
MSY149-32-28 □	149	320	280	3.3
MSY149-32-35 □	149	320	350	4.0
MSY149-32-45 □	149	320	450	4.9
MSY149-37-23 □	149	370	230	3.2
MSY149-37-28 □	149	370	280	3.7
MSY149-37-35 □	149	370	350	4.3
MSY149-37-45 □	149	370	450	5.2
MSY149-43-23 □	149	430	230	3.6
MSY149-43-28 □	149	430	280	4.1
MSY149-43-35 □	149	430	350	4.8
MSY149-43-45 □	149	430	450	6.0
MSY177-16-23 □	177	160	230	2.3
MSY177-16-28 □	177	160	280	2.6
MSY177-21-23 □	177	210	230	2.6
MSY177-21-28 □	177	210	280	3.0
MSY177-21-35 □	177	210	350	3.6
MSY177-26-23 □	177	260	230	3.0
MSY177-26-28 □	177	260	280	3.4
MSY177-26-35 □	177	260	350	4.0
MSY177-32-23 □	177	320	230	3.3
MSY177-32-28 □	177	320	280	3.8
MSY177-32-35 □	177	320	350	4.6
MSY177-32-45 □	177	320	450	5.6
MSY177-37-23 □	177	370	230	3.6
MSY177-37-28 □	177	370	280	4.2
MSY177-37-35 □	177	370	350	5.0
MSY177-37-45 □	177	370	450	5.9
MSY177-43-23 □	177	430	230	4.0
MSY177-43-28 □	177	430	280	4.6
MSY177-43-35 □	177	430	350	5.5
MSY177-43-45 □	177	430	450	6.7

Product no.	H	W	D	Weight (kg)
MSY199-16-23 □	199	160	230	2.4
MSY199-16-28 □	199	160	280	2.8
MSY199-21-23 □	199	210	230	2.7
MSY199-21-28 □	199	210	280	3.1
MSY199-21-35 □	199	210	350	3.7
MSY199-26-23 □	199	260	230	3.1
MSY199-26-28 □	199	260	280	3.5
MSY199-26-35 □	199	260	350	4.2
MSY199-32-23 □	199	320	230	3.5
MSY199-32-28 □	199	320	280	4.0
MSY199-32-35 □	199	320	350	4.7
MSY199-32-45 □	199	320	450	5.7
MSY199-37-23 □	199	370	230	3.8
MSY199-37-28 □	199	370	280	4.4
MSY199-37-35 □	199	370	350	5.1
MSY199-37-45 □	199	370	450	6.1
MSY199-43-23 □	199	430	230	4.2
MSY199-43-28 □	199	430	280	4.8
MSY199-43-35 □	199	430	350	5.6
MSY199-43-45 □	199	430	450	6.9
MSY222-16-23 □	222	160	230	2.5
MSY222-16-28 □	222	160	280	2.9
MSY222-21-23 □	222	210	230	2.9
MSY222-21-28 □	222	210	280	3.3
MSY222-21-35 □	222	210	350	3.9
MSY222-26-23 □	222	260	230	3.3
MSY222-26-28 □	222	260	280	3.7
MSY222-26-35 □	222	260	350	4.4
MSY222-32-23 □	222	320	230	3.6
MSY222-32-28 □	222	320	280	4.1
MSY222-32-35 □	222	320	350	4.9
MSY222-32-45 □	222	320	450	6.0
MSY222-37-23 □	222	370	230	4.0
MSY222-37-28 □	222	370	280	4.5
MSY222-37-35 □	222	370	350	5.3
MSY222-37-45 □	222	370	450	6.4
MSY222-43-23 □	222	430	230	4.4
MSY222-43-28 □	222	430	280	5.0
MSY222-43-35 □	222	430	350	5.9
MSY222-43-45 □	222	430	450	7.2