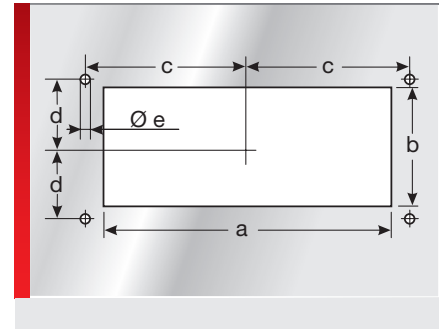
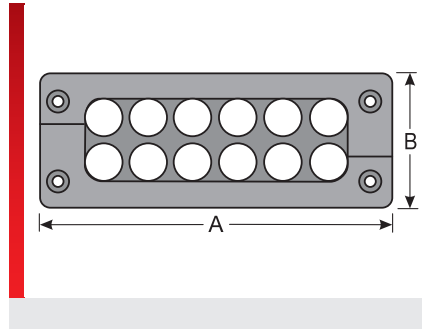


## Type KDL/H cable entry system



KDL/C -/D -/H cable entry system

### PRODUCT INFORMATION

KDL/H is manufactured in a zinc die-cast process and is designed for feed-through of pre-assembled cables. The KDL/H system is a splittable system that enables the quick and easy installation of up to 48 pre-assembled cables with a high packing density in control cabinets and terminal boxes. Special benefits of the KDL/H are:

- Cable infeed without interruption
- Standardised cut-out dimensions
- Easy assembly
- High protection category to IP 69K (in combination with the proper enclosure)
- Very robust construction
- Integrated strain relief
- Matching grommet: KDT/X
- KDL/H M50/4: Cut-out 50.5 mm (round)

### SPECIFICATIONS

	Frame: ZN/Alu/VA Block: TPE
	-30 – 100 °C
	IP 66/67 (with suitable grommets and cables) IP 69K (with matching housing)

Type	Order No.	Colour	No. Openings			Material	Pack qty.
			Small	medium	large		
<b>Special size</b>							
KDL/H-VA 1/6	87141470	Materialtypisch	6	0	0	VA	1

### DIMENSION TABLE

Type	Order No.	Installation height (EH) mm	A mm	B mm	a mm	b mm	c mm	d mm	e mm
<b>Special size</b>									
KDL/H-VA 1/6	87141470	18.00	148.00	38.00	112.00	17.00	65.00	16.00	5.50

Frame: ZN/Alu/VA  
Block: TPE

**Temperature / temperature range**  
-30 – 100 °C

**Protection class**  
IP 66/67 (with suitable grommets and cables)  
IP 69K (with matching housing)

## Type KDL/H cable entry system

 **LABS free**

 **According to EN -2-1**

 **RoHS (EC Directive 2011/65/EU)**

 **Made in Germany**

All details given in our sales brochures and catalogues, as well as the information available online, are based on our current knowledge of the products described.

The electronic data and files made available by Murrplastik, particularly CAD files are based on our current knowledge of the product described.

A legally binding assurance of certain properties or the suitability for a certain purpose can not be determined from this information.

All information with respect to the chemical and physical properties of Murrplastik products, as well as application advice given verbally, in writing or by tests, is given to the best of our knowledge.

This does not free the purchaser of carrying out their own inspections and tests in order to determine the suitability of a product for a specific purpose.

Murrplastik accepts no responsibility for the available information being up-to-date, correct or complete. Neither do we accept responsibility for the quality of this information.

Murrplastik accepts no liability for damage caused as a result of using our products.

Murrplastik reserves the right to make technical changes and improvements through constant further development of products and services.

Our General Terms and Conditions apply.