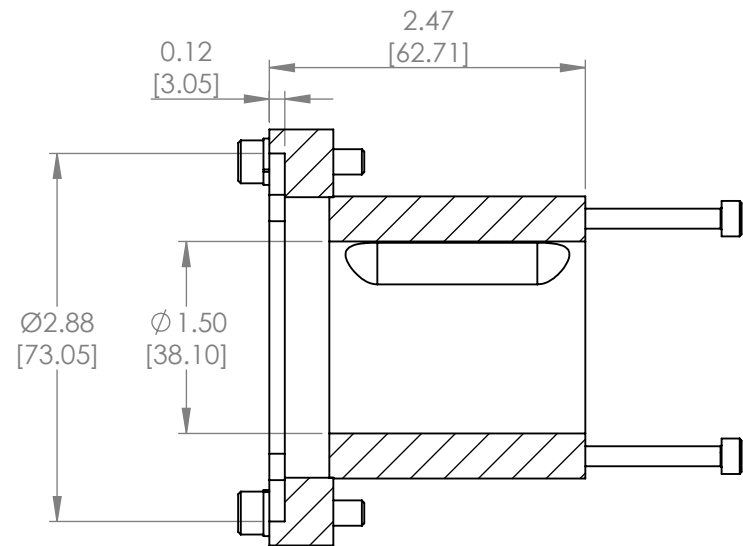
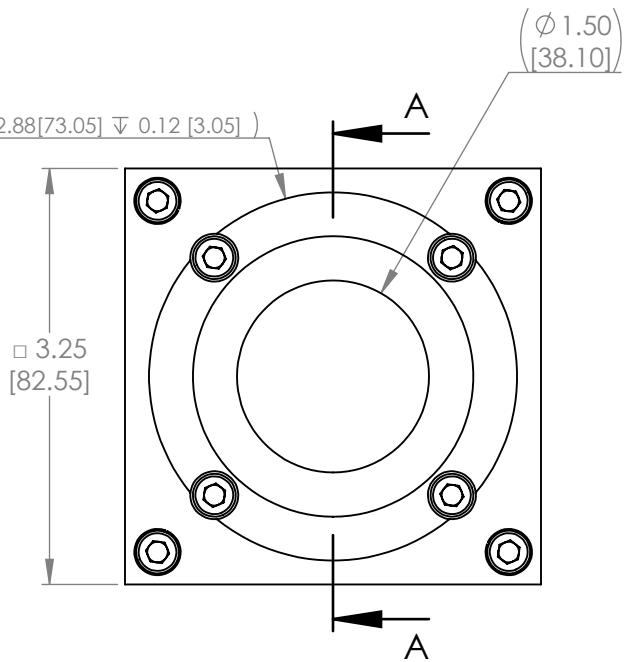
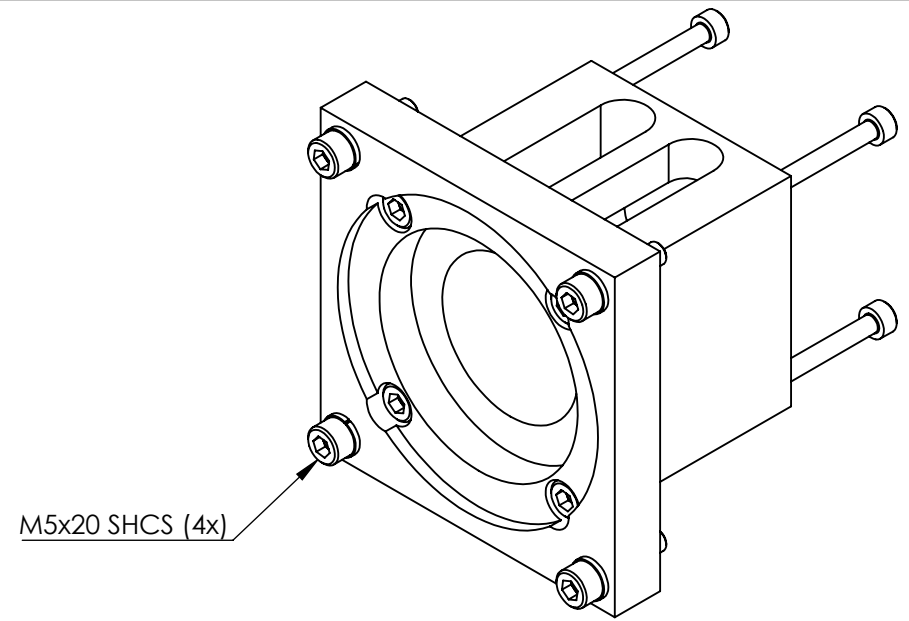
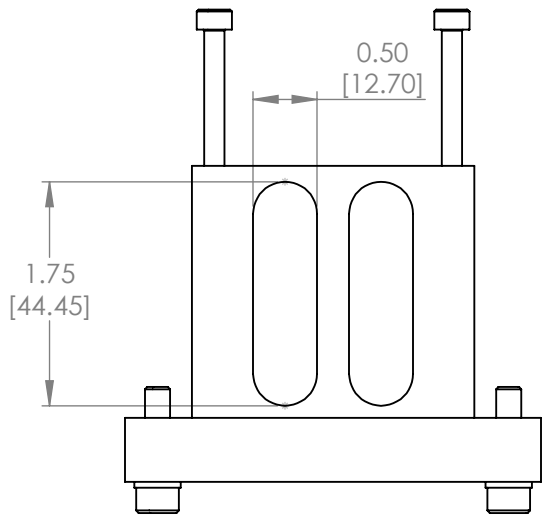


UNIT: in [mm]

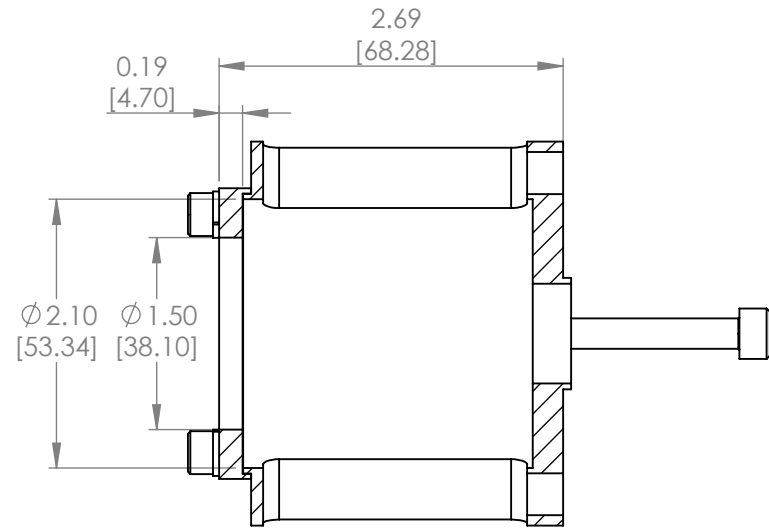
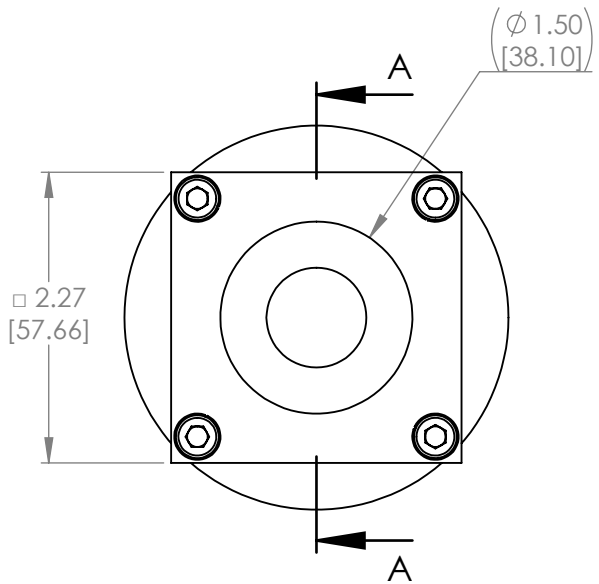
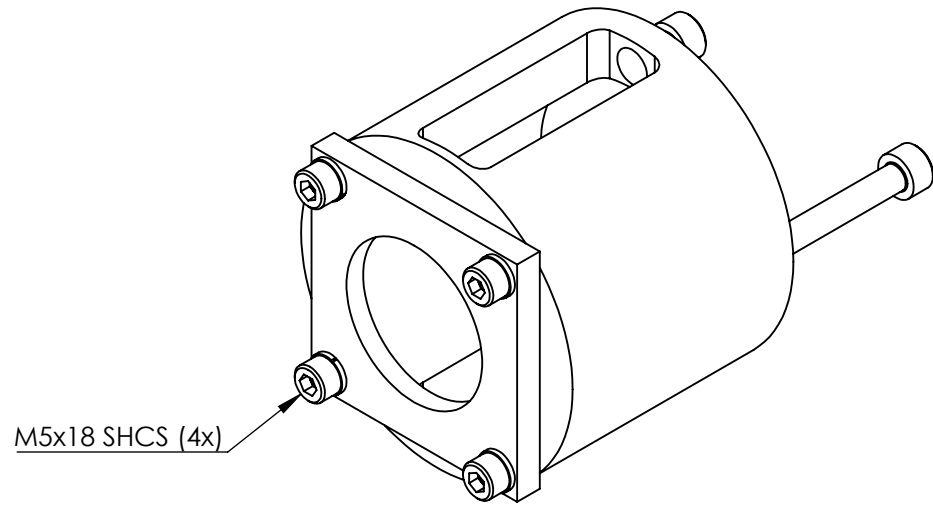
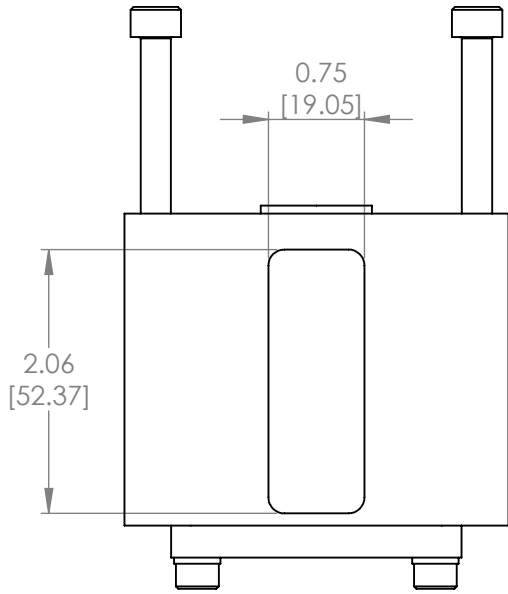
PART NUMBER			
MMK-A58-38-6-67			
DESCRIPTION			
DATE	DRAWN	CHECKED	APPROVED



UNIT: in [mm]

PART NUMBER			
MMK-A83-73-3-99			
DESCRIPTION			
DATE	DRAWN	CHECKED	APPROVED

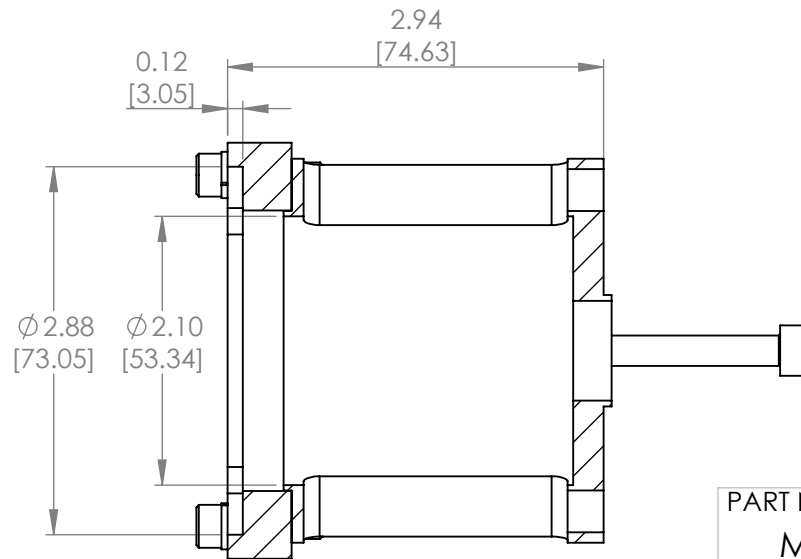
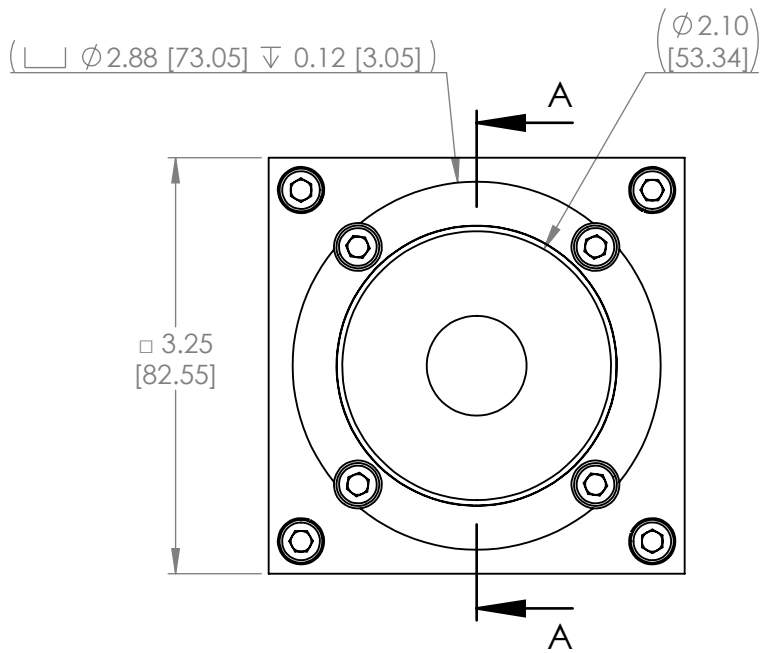
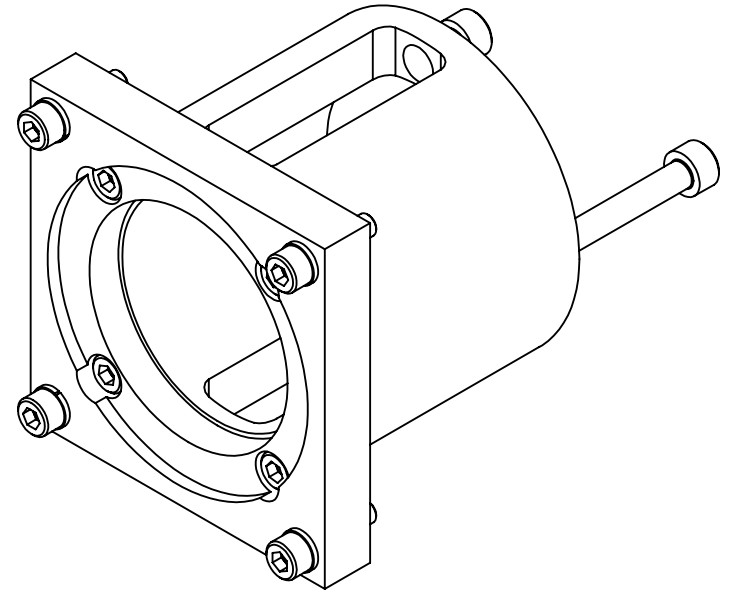
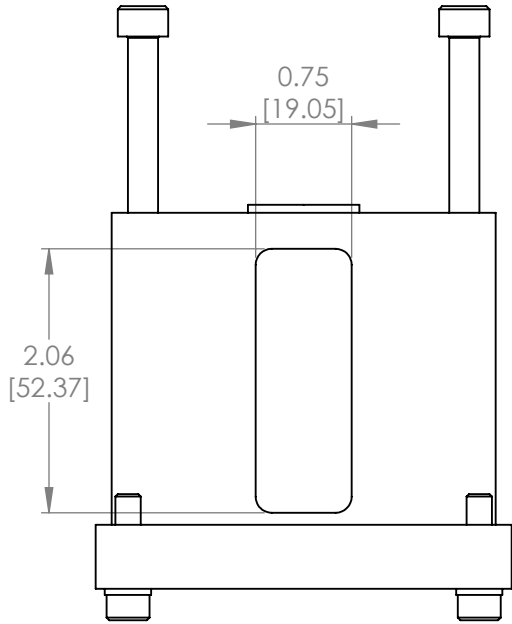




UNIT: in [mm]

PART NUMBER			
MMK-B58-38-6-67			
DESCRIPTION			
DATE	DRAWN	CHECKED	APPROVED





UNIT: in [mm]

PART NUMBER			
MMK-B83-73-3-99			
DESCRIPTION			
DATE	DRAWN	CHECKED	APPROVED

