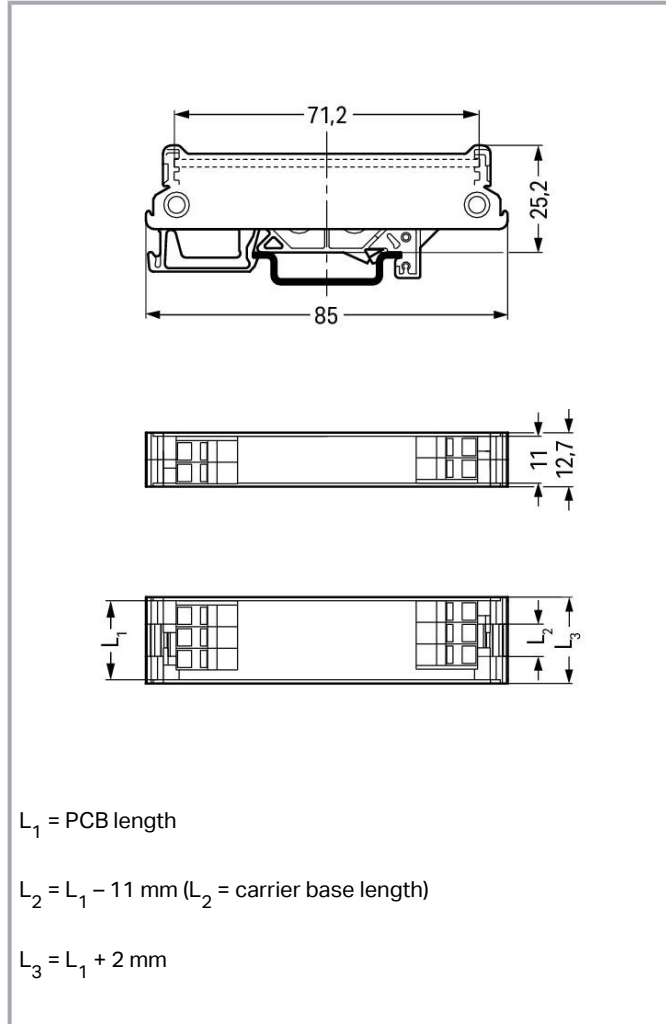
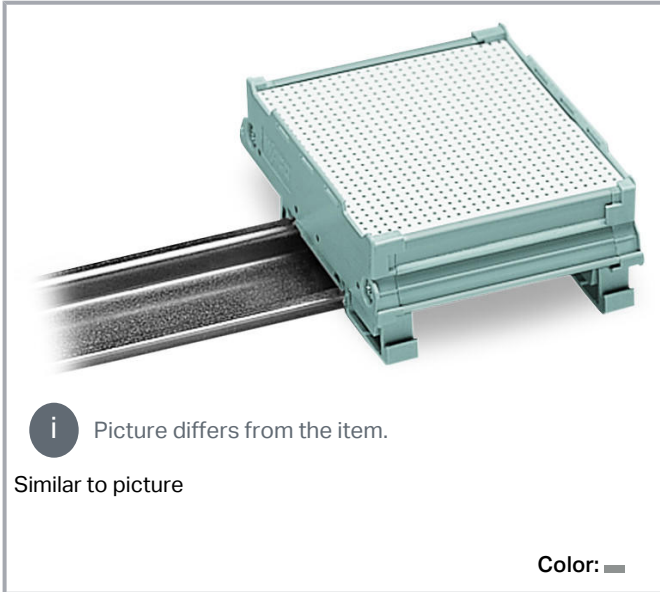


Data sheet | Item number: 288-600

Track section; Size 1; 1 m long; gray

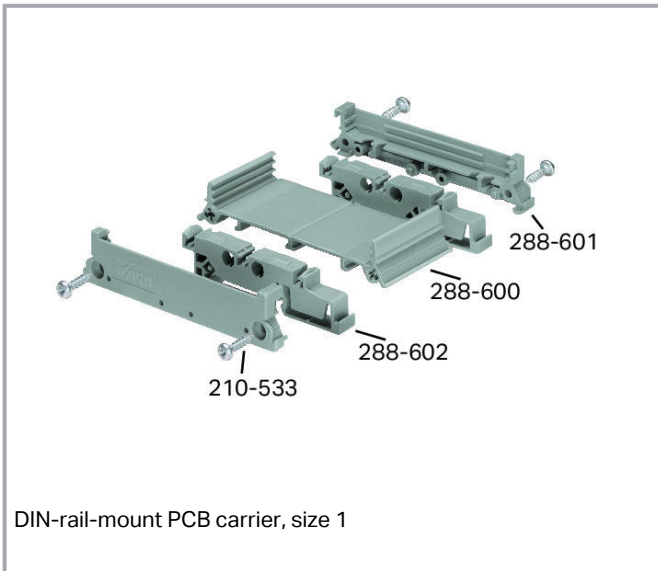
www.wago.com/288-600



Subject to changes. Please also observe the further product documentation!

WAGO Corporation
Germantown, WI 53022
Phone: 1-800-DIN-RAIL (346-7245) | Fax: (262) 255-6222
Email: info.us@wago.com | Web: www.wago.us

Do you have any questions about our products?
We are always happy to take your call at (262) 255-6222 or 1 800-DIN-RAIL.



Item description

DIN-rail mount PCB carrier, size 1 – carrier base, size 1; 1 m long

Note:

Length calculation for a complete mounting carrier:

PCB length: L1

Base length: L2 = L1 - 11 mm

Mounting carrier length: L3 = L1 + 2 mm

Lateral cover, size 1, 6.35 mm thick

Free space between base and PCB (when using upper PCB groove): 5 mm

PCB tolerances: thickness 1.5 mm ± 0.2 mm, length/width ± 0.2 mm; -0.1/+0.3 for milling contours

Data

Physical data

Width	1000 mm / 39.37 inch
Depth	71.2 mm / 2.803 inch

Mechanical data

Mounting type	DIN-35 rail
---------------	-------------

Subject to changes. Please also observe the further product documentation!

WAGO Corporation
Germantown, WI 53022
Phone: 1-800-DIN-RAIL (346-7245) | Fax: (262) 255-6222
Email: info.us@wago.com | Web: www.wago.us

Do you have any questions about our products?
We are always happy to take your call at (262) 255-6222 or 1 800-DIN-RAIL.



Material data

Color	gray
Weight	279 g

Commercial data

Product Group	6 (Interface Electronics)
Packaging type	BOX
Country of origin	DE
GTIN	4017332639484
Customs tariff number	8547200000

Subject to changes. Please also observe the further product documentation!

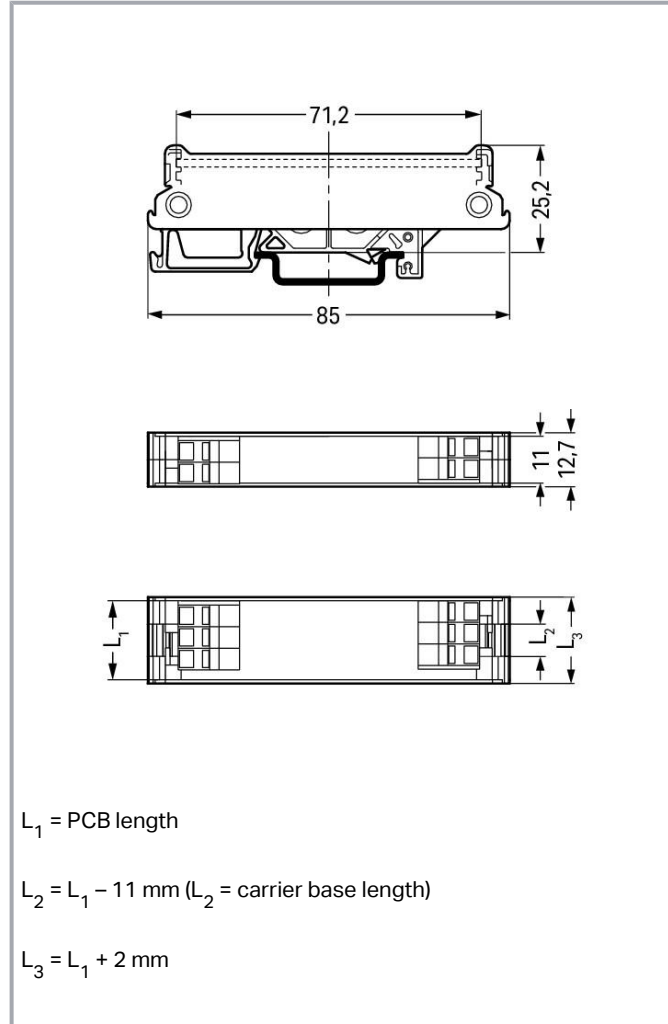
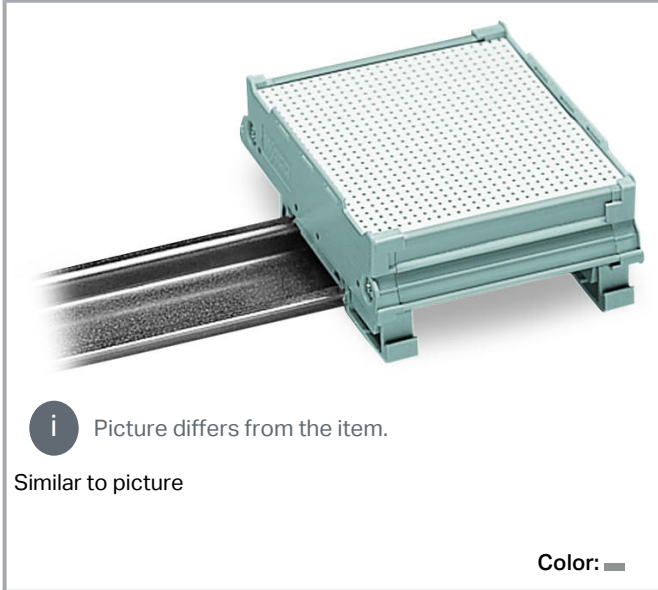
WAGO Corporation
Germantown, WI 53022
Phone: 1-800-DIN-RAIL (346-7245) | Fax: (262) 255-6222
Email: info.us@wago.com | Web: www.wago.us

Do you have any questions about our products?
We are always happy to take your call at (262) 255-6222 or 1 800-DIN-RAIL.

Data sheet | Item number: 288-601

Lateral cover; Size 1; small; 6.35 mm thick; gray

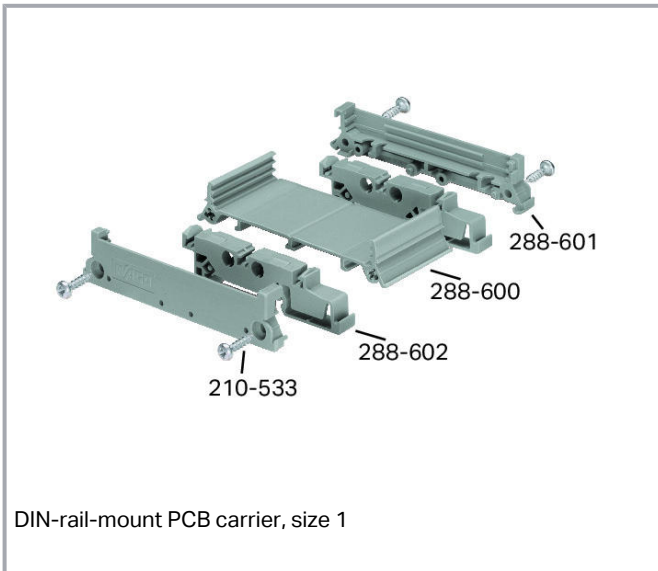
www.wago.com/288-601



Subject to changes. Please also observe the further product documentation!

WAGO Kontakttechnik GmbH & Co. KG
Hansastr. 27
32423 Minden
Phone: +49571 887-0 | Fax: +49571 887-169
Email: info.de@wago.com | Web: www.wago.com

Do you have any questions about our products?
We are always happy to take your call at +49 (571) 887-44222.



Item description

DIN-rail mount PCB carrier, size 1 – lateral cover, size 1; small; 6.35 mm thick

Data

Physical data

Width	6.35 mm / 0.25 inch
Depth	85 mm / 3.346 inch

Mechanical data

Mounting type	DIN-35 rail
---------------	-------------

Material data

Color	gray
Fire load	0.102 MJ
Weight	3.3 g

Commercial data

Product Group	6 (Interface Electronics)
Packaging type	BOX
Country of origin	DE

Subject to changes. Please also observe the further product documentation!



GTIN	4017332612180
Customs tariff number	39269097900

Subject to changes. Please also observe the further product documentation!

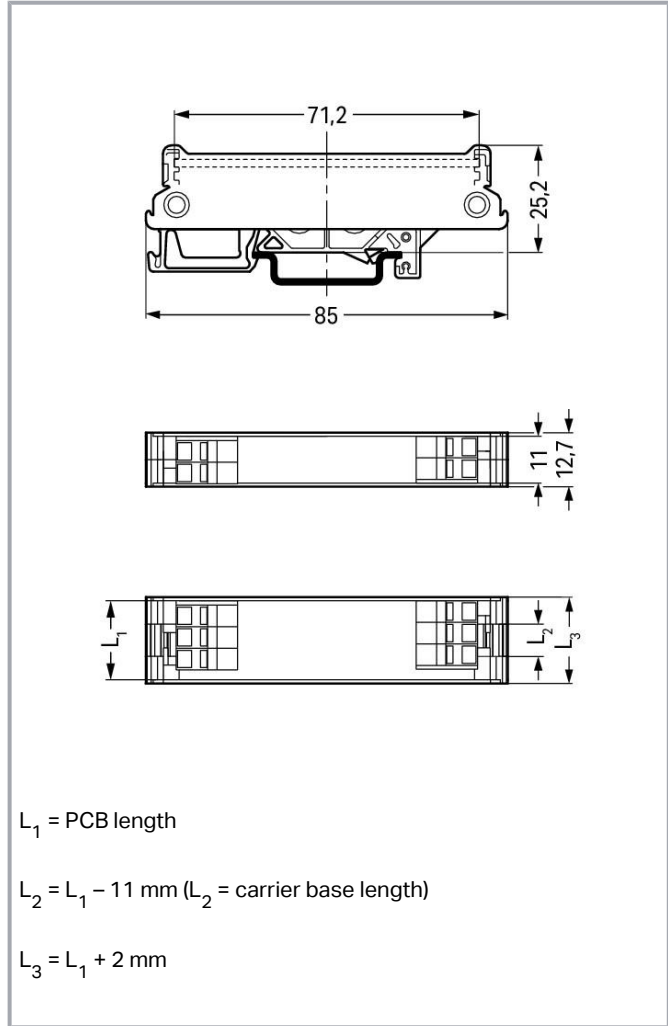
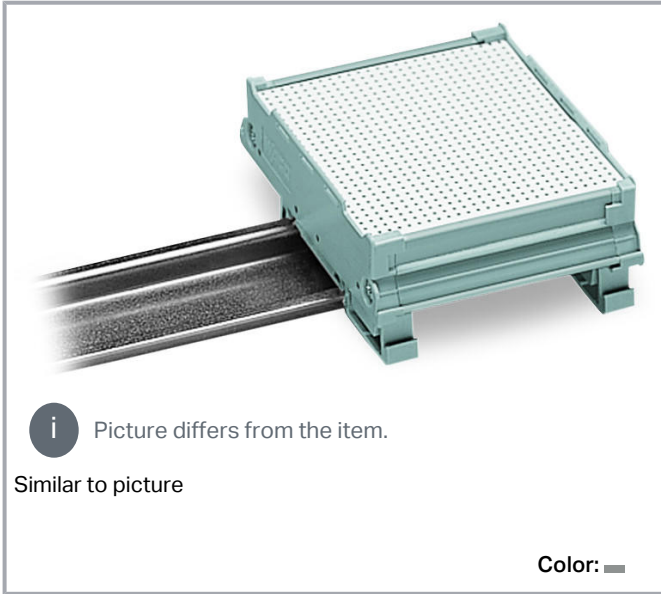
WAGO Kontakttechnik GmbH & Co. KG
Hansastr. 27
32423 Minden
Phone: +49571 887-0 | Fax: +49571 887-169
Email: info.de@wago.com | Web: www.wago.com

Do you have any questions about our products?
We are always happy to take your call at +49 (571) 887-44222.

Data sheet | Item number: 288-602

Fixing foot for DIN 35 rail; gray

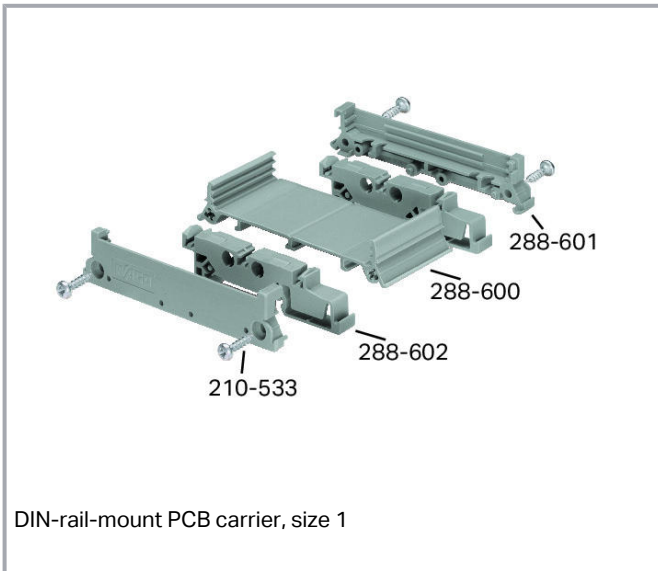
www.wago.com/288-602



Subject to changes. Please also observe the further product documentation!

WAGO Corporation
Germantown, WI 53022
Phone: 1-800-DIN-RAIL (346-7245) | Fax: (262) 255-6222
Email: info.us@wago.com | Web: www.wago.us

Do you have any questions about our products?
We are always happy to take your call at (262) 255-6222 or 1 800-DIN-RAIL.



Item description

DIN-rail-mount PCB carrier, size 1 – mounting foot for DIN-35 rail

Data

Mechanical data

Mounting type	DIN-35 rail
---------------	-------------

Material data

Color	gray
Fire load	0.106 MJ
Weight	3.3 g

Commercial data

Product Group	6 (Interface Electronics)
Packaging type	BOX
Country of origin	DE
GTIN	4017332612197
Customs tariff number	8547200000

Subject to changes. Please also observe the further product documentation!

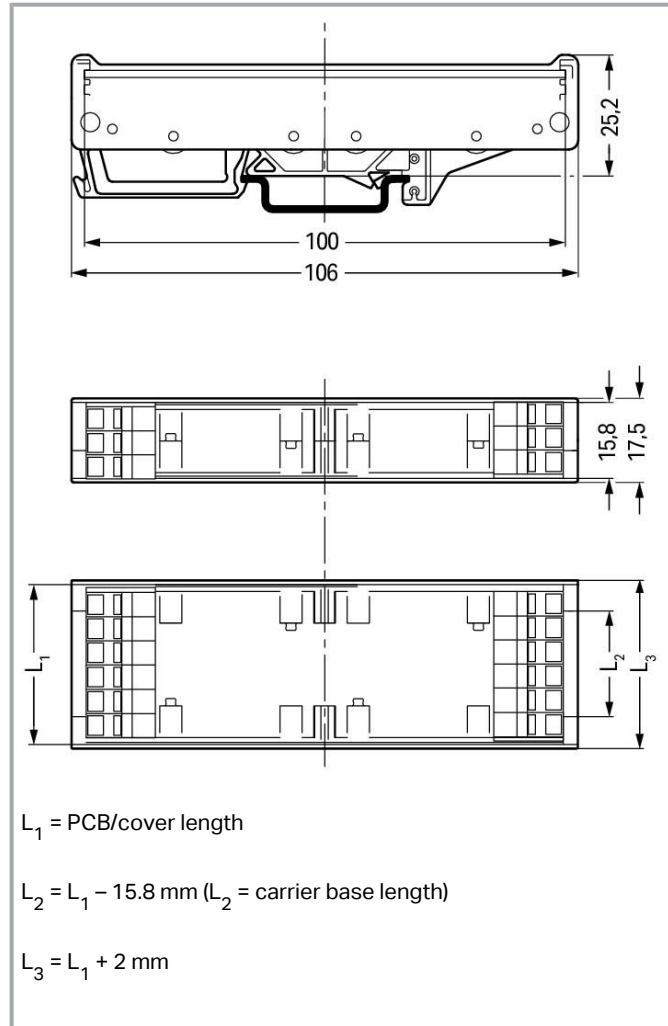
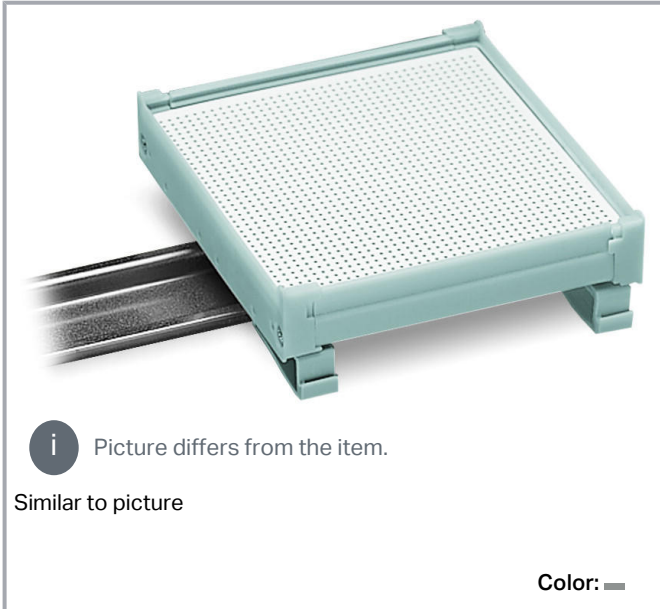
WAGO Corporation
Germantown, WI 53022
Phone: 1-800-DIN-RAIL (346-7245) | Fax: (262) 255-6222
Email: info.us@wago.com | Web: www.wago.us

Do you have any questions about our products?
We are always happy to take your call at (262) 255-6222 or 1 800-DIN-RAIL.

Data sheet | Item number: 288-620

Track section; Size 2; 1 m long; gray

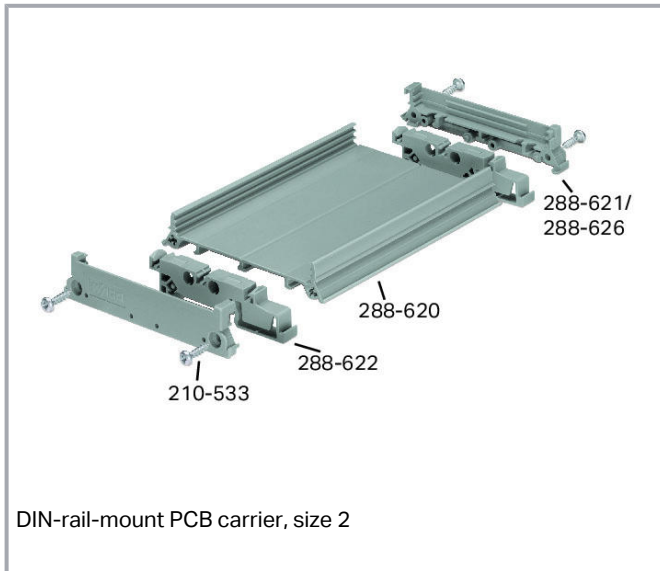
www.wago.com/288-620



Subject to changes. Please also observe the further product documentation!

WAGO Kontakttechnik GmbH & Co. KG
Hansastr. 27
32423 Minden
Phone: +49571 887-0 | Fax: +49571 887-169
Email: info.de@wago.com | Web: www.wago.com

Do you have any questions about our products?
We are always happy to take your call at +49 (571) 887-44222.



Item description

DIN-rail mount PCB carrier, size 2 – carrier base, size 2; 1 m long

Note:

Length calculation for a complete mounting carrier:

PCB length: L1

Base length: L2 = L1 – 15.8 mm

Mounting carrier length: L3 = L1 + 2 mm

Cover length: L4 = L1

Lateral cover, size 2, 8.75 mm thick

Free space between base and PCB (when using upper PCB groove): 5 mm

PCB tolerances: thickness 1.5 mm ± 0.2 mm, length/width ± 0.2 mm; -0.1/+0.3 for milling contours

Data

Physical data

Width	1000 mm / 39.37 inch
Depth	100 mm / 3.937 inch

Subject to changes. Please also observe the further product documentation!

WAGO Kontakttechnik GmbH & Co. KG
Hansastr. 27
32423 Minden
Phone: +49571 887-0 | Fax: +49571 887-169
Email: info.de@wago.com | Web: www.wago.com

Do you have any questions about our products?
We are always happy to take your call at +49 (571) 887-44222.



Mechanical data

Mounting type	DIN-35 rail
---------------	-------------

Material data

Color	gray
Weight	1.1 g

Commercial data

Product Group	6 (Interface Electronics)
Packaging type	BOX
Country of origin	DE
GTIN	4017332639477
Customs tariff number	39169010900

Subject to changes. Please also observe the further product documentation!

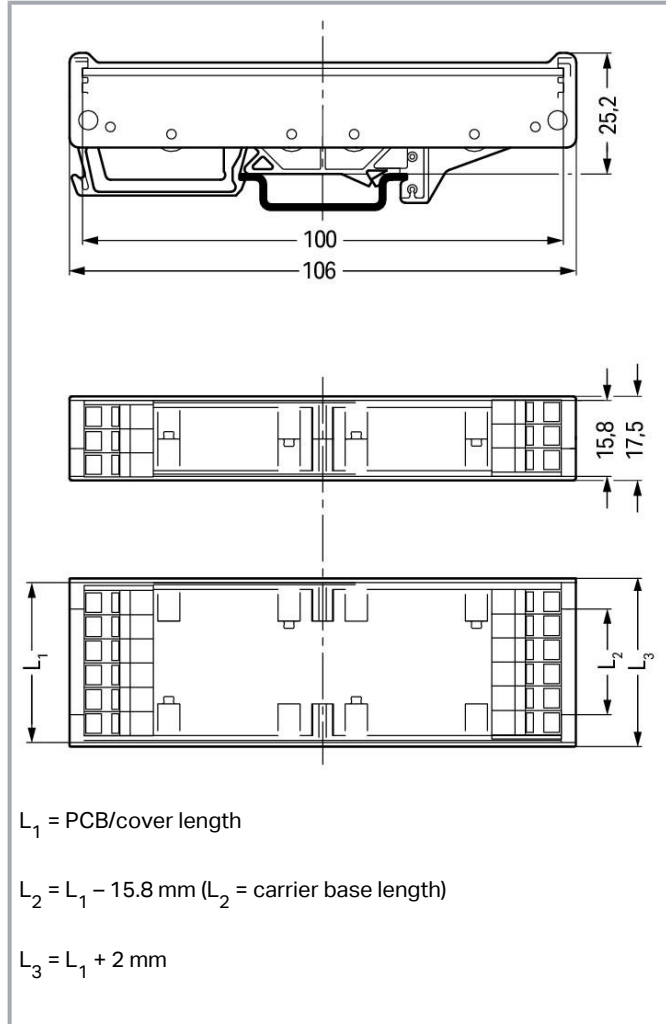
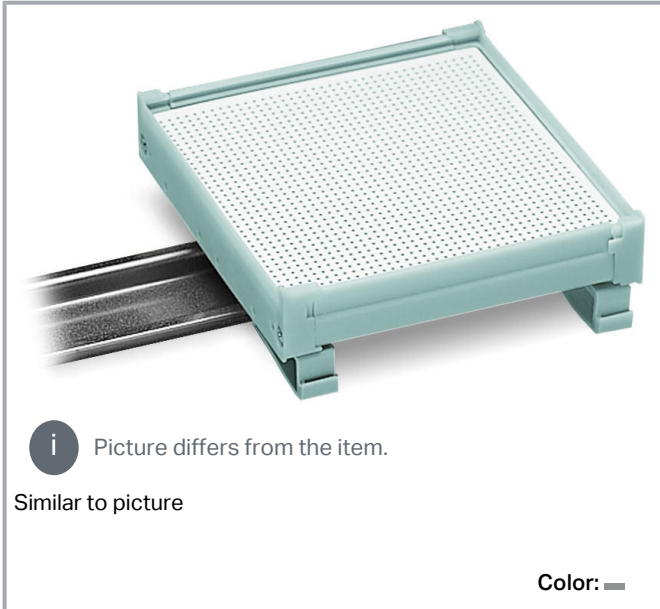
WAGO Kontakttechnik GmbH & Co. KG
Hansastr. 27
32423 Minden
Phone: +49571 887-0 | Fax: +49571 887-169
Email: info.de@wago.com | Web: www.wago.com

Do you have any questions about our products?
We are always happy to take your call at +49 (571) 887-44222.

Data sheet | Item number: 288-621

Lateral cover; Size 2; small; 8.75 mm thick; gray

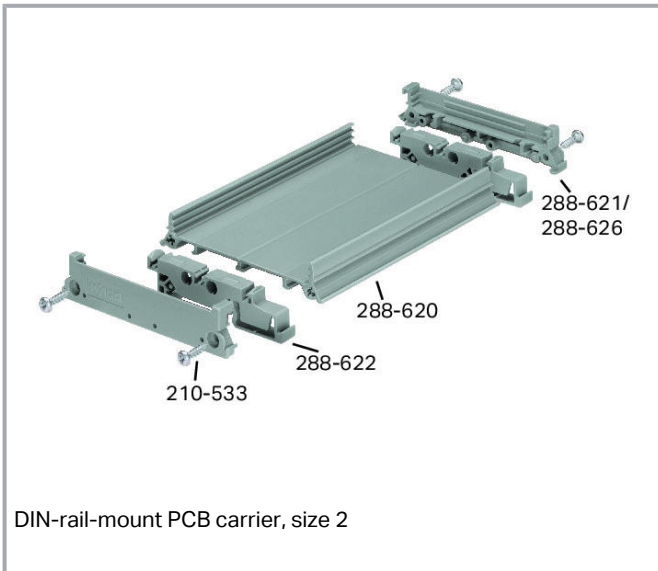
www.wago.com/288-621



Subject to changes. Please also observe the further product documentation!

WAGO Corporation
Germantown, WI 53022
Phone: 1-800-DIN-RAIL (346-7245) | Fax: (262) 255-6222
Email: info.us@wago.com | Web: www.wago.us

Do you have any questions about our products?
We are always happy to take your call at (262) 255-6222 or 1 800-DIN-RAIL.



Item description

DIN-rail mount PCB carrier, size 2 – lateral cover, size 2; small; 8.75 mm thick

Data

Physical data

Width	8.75 mm / 0.344 inch
Depth	106 mm / 4.173 inch

Mechanical data

Mounting type	DIN-35 rail
---------------	-------------

Material data

Color	gray
Fire load	0.159 MJ
Weight	5.2 g

Commercial data

Product Group	6 (Interface Electronics)
Packaging type	BOX
Country of origin	DE

Subject to changes. Please also observe the further product documentation!

WAGO Corporation
 Germantown, WI 53022
 Phone: 1-800-DIN-RAIL (346-7245) | Fax: (262) 255-6222
 Email: info.us@wago.com | Web: www.wago.us

Do you have any questions about our products?
 We are always happy to take your call at (262) 255-6222 or 1 800-DIN-RAIL.



GTIN	4017332639453
Customs tariff number	8547200000

Subject to changes. Please also observe the further product documentation!

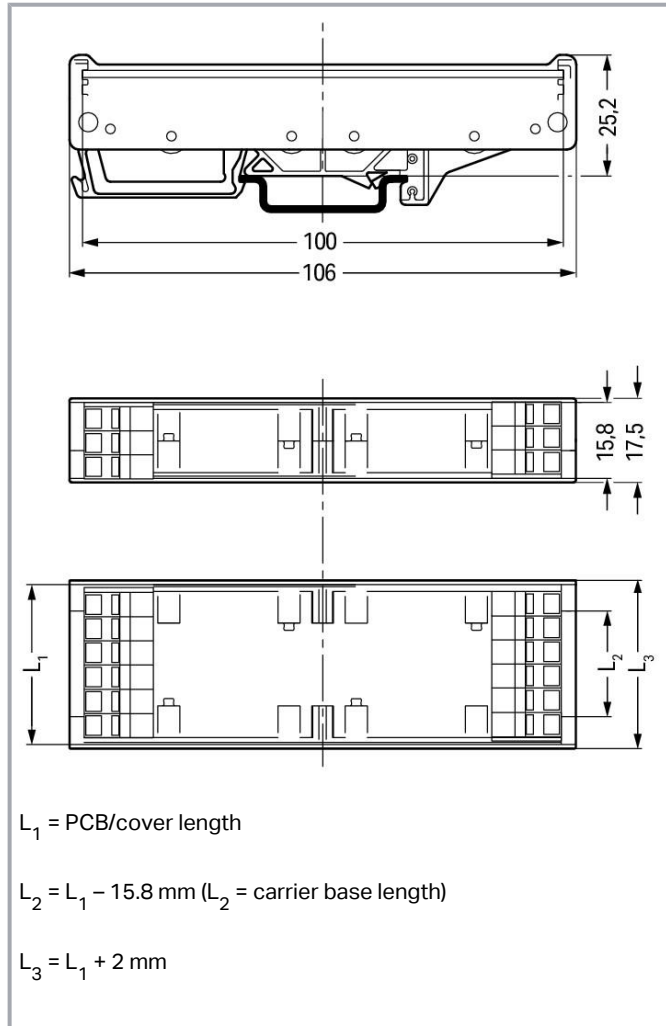
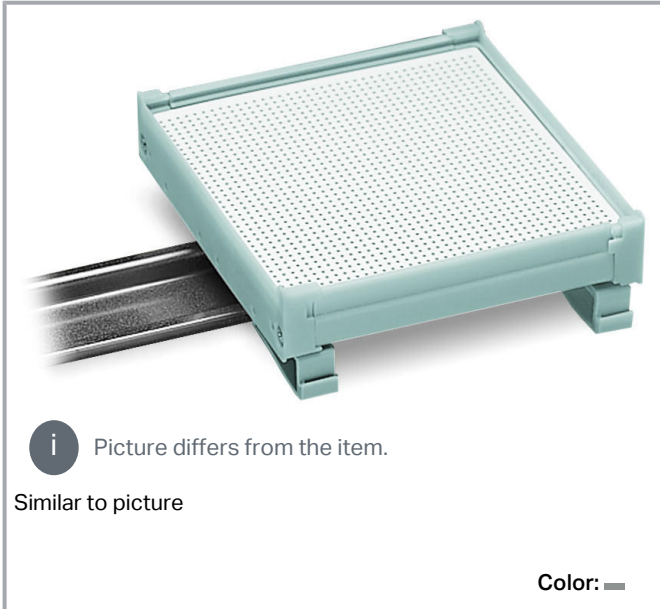
WAGO Corporation
Germantown, WI 53022
Phone: 1-800-DIN-RAIL (346-7245) | Fax: (262) 255-6222
Email: info.us@wago.com | Web: www.wago.us

Do you have any questions about our products?
We are always happy to take your call at (262) 255-6222 or 1 800-DIN-RAIL.

Data sheet | Item number: 288-622

Fixing foot for DIN 35 rail; gray

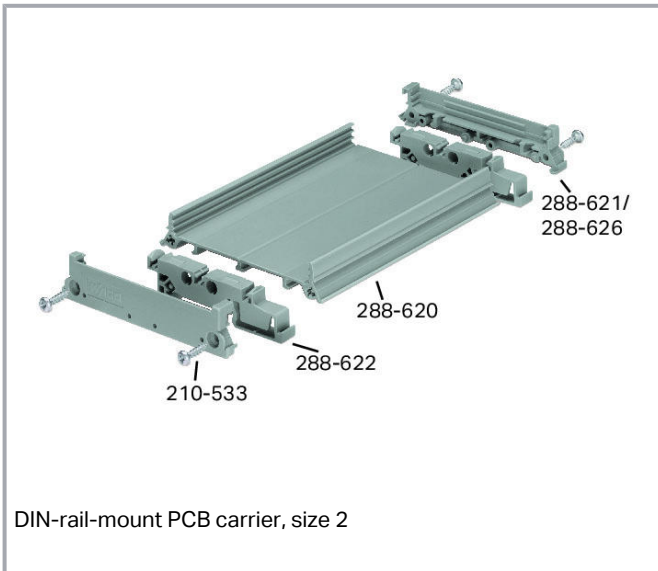
www.wago.com/288-622



Subject to changes. Please also observe the further product documentation!

WAGO Corporation
Germantown, WI 53022
Phone: 1-800-DIN-RAIL (346-7245) | Fax: (262) 255-6222
Email: info.us@wago.com | Web: www.wago.us

Do you have any questions about our products?
We are always happy to take your call at (262) 255-6222 or 1 800-DIN-RAIL.



Item description

DIN-rail-mount PCB carrier, size 2 – mounting foot for DIN-35 rail

Data

Mechanical data

Mounting type	DIN-35 rail
---------------	-------------

Material data

Color	gray
Fire load	0.157 MJ
Weight	5.3 g

Commercial data

Product Group	6 (Interface Electronics)
Packaging type	BOX
Country of origin	DE
GTIN	4017332639460
Customs tariff number	8547200000

Optional accessories




assembling

Subject to changes. Please also observe the further product documentation!

WAGO Corporation
 Germantown, WI 53022
 Phone: 1-800-DIN-RAIL (346-7245) | Fax: (262) 255-6222
 Email: info.us@wago.com | Web: www.wago.us

Do you have any questions about our products?
 We are always happy to take your call at (262) 255-6222 or 1 800-DIN-RAIL.



	Item no.: 210-533 Phillips screw 2.9 x 13	www.wago.com/210-533
	Item no.: 288-620 Track section; Size 2; 1 m long; gray	www.wago.com/288-620
	Item no.: 288-620/024-000 Track section; Size 2; gray	www.wago.com/288-620/024-000

Downloads

Documentation

Additional Information

Disposal; Electrical and electronic equipment, Packaging	V 1.0.0	pdf 265.8 kB	Download
--	---------	-----------------	----------

CAD files

CAE data

WSCAD Universe 288-622	URL	Download
ZUKEN Portal 288-622	URL	Download

CAD data

2D/3D Models 288-622	URL	Download
----------------------	-----	----------

Environmental Product Compliance

Compliance Search

Environmental Product Compliance 288-622 Fixing foot for DIN 35 rail; gray	URL	Download
---	-----	----------

Installation Notes

Subject to changes. Please also observe the further product documentation!

WAGO Corporation
Germantown, WI 53022
Phone: 1-800-DIN-RAIL (346-7245) | Fax: (262) 255-6222
Email: info.us@wago.com | Web: www.wago.us

Do you have any questions about our products?
We are always happy to take your call at (262) 255-6222 or 1 800-DIN-RAIL.